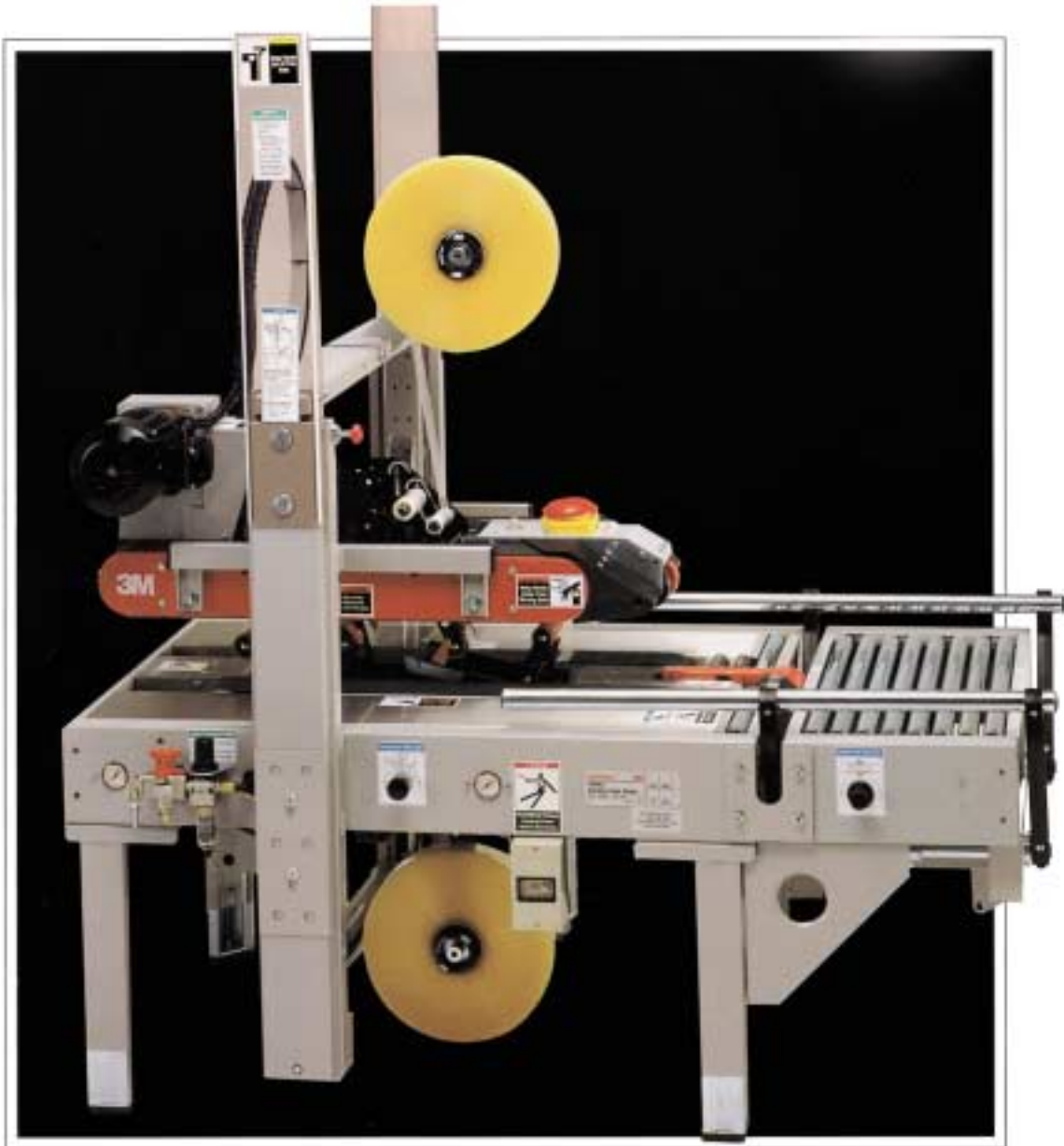


The 3M-Matic™ 700rks Top & Bottom Drive Belt Random King Size Case Sealer

Bringing productivity to new heights



3M *Innovation*

3M-Matic™ 700rks Top & Bottom Drive Belt Random King Size Case Sealer

Part of a new generation of case sealers that's shaping the future of packaging

3M-Matic™ case sealers are specially designed to be versatile, effective and productive. They're also sturdy and easy to install. And with features such as the new AccuGlide™ II taping head and unique alternate outboard tape roll mount, they represent 3M's commitment to innovation as the industry leader in case sealing systems.

The 3M-Matic™ 700rks Top & Bottom Drive Belt Random King Size Case Sealer is designed especially for productive sealing of large size regular slotted containers, such as those used in the appliance, electronics, bedding and furniture industries. The versatile 3M-Matic™ 700rks is ideal for sealing a variety of case sizes on the same production line, and sealing them at up to 15 cases per minute, automatically adjusting to each case's height and width. The patented AccuGlide™ II taping head then precisely applies a full range of Scotch™ brand box sealing tapes for a secure box closure. The pneumatically operated packing station holds empty cases for filling and automatically centers them for sealing.

Two 1/4 HP gearmotor drives provide heavy duty performance. Upper mast travel can be restricted for long runs of similar size cases to improve productivity. The lower taping head can be removed easily for cleaning and maintenance. And the functional design saves floor space.

Standard features include a pneumatic packing station; an upper tape roll bracket attached to the machine for easier and more sturdy tape roll mounting; friction brake tape roll drums to prevent tape overrun and provide more consistent tape application; an easy-to-reach alternate outboard tape roll mount for the lower head; and easy-to-install laced replacement belts. Additional features are available as options.

Used with performance-matched Scotch™ brand box sealing tapes, the 3M-Matic™ 700rks provides optimum case sealing results. 3M also offers a 3M-Matic™ 700aks Top & Bottom Drive Belt Adjustable King Size Case Sealer for long, single-sized production runs of large size RSCs.

To find out how the 3M-Matic™ 700rks Top & Bottom Drive Belt Random King Size Case Sealer can bring your productivity to new heights, see your nearest 3M sales representative or contact your local 3M-Matic™ case sealer distributor.

AccuGlide™ II taping head

3M's advanced, low impact AccuGlide™ II taping head with its curvilinear track insures that even lightweight corrugated cases are securely and carefully sealed. Provides positive tape starting and precise tape application. Applies standard 2.75" [70mm] tape leg lengths. Can be converted to apply 2" [50mm] tape leg lengths. And a built-in blade oiler helps prevent adhesive buildup. The head comes with a ninety-day warranty on knife blades, springs and rollers and a three-year warranty on all other parts.



Optional low tape indicator

Upper mast guards

Gearmotor drive

AccuGlide™ II taping heads
Hardened tool steel cutting blade
3" [72mm] tape width capacity

Top drive belt assembly
Easily installed laced replacement belts

Stainless steel deck

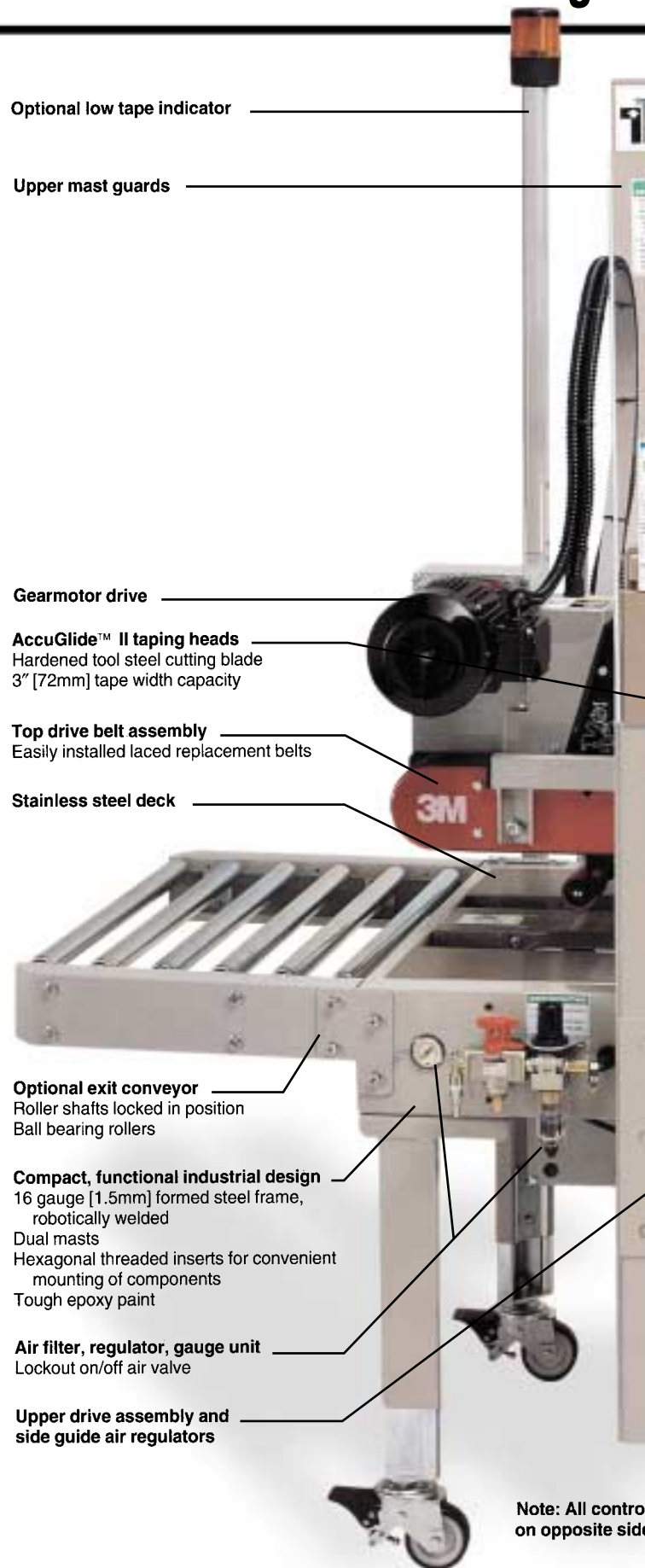
Optional exit conveyor
Roller shafts locked in position
Ball bearing rollers

Compact, functional industrial design
16 gauge [1.5mm] formed steel frame,
robotically welded
Dual masts
Hexagonal threaded inserts for convenient
mounting of components
Tough epoxy paint

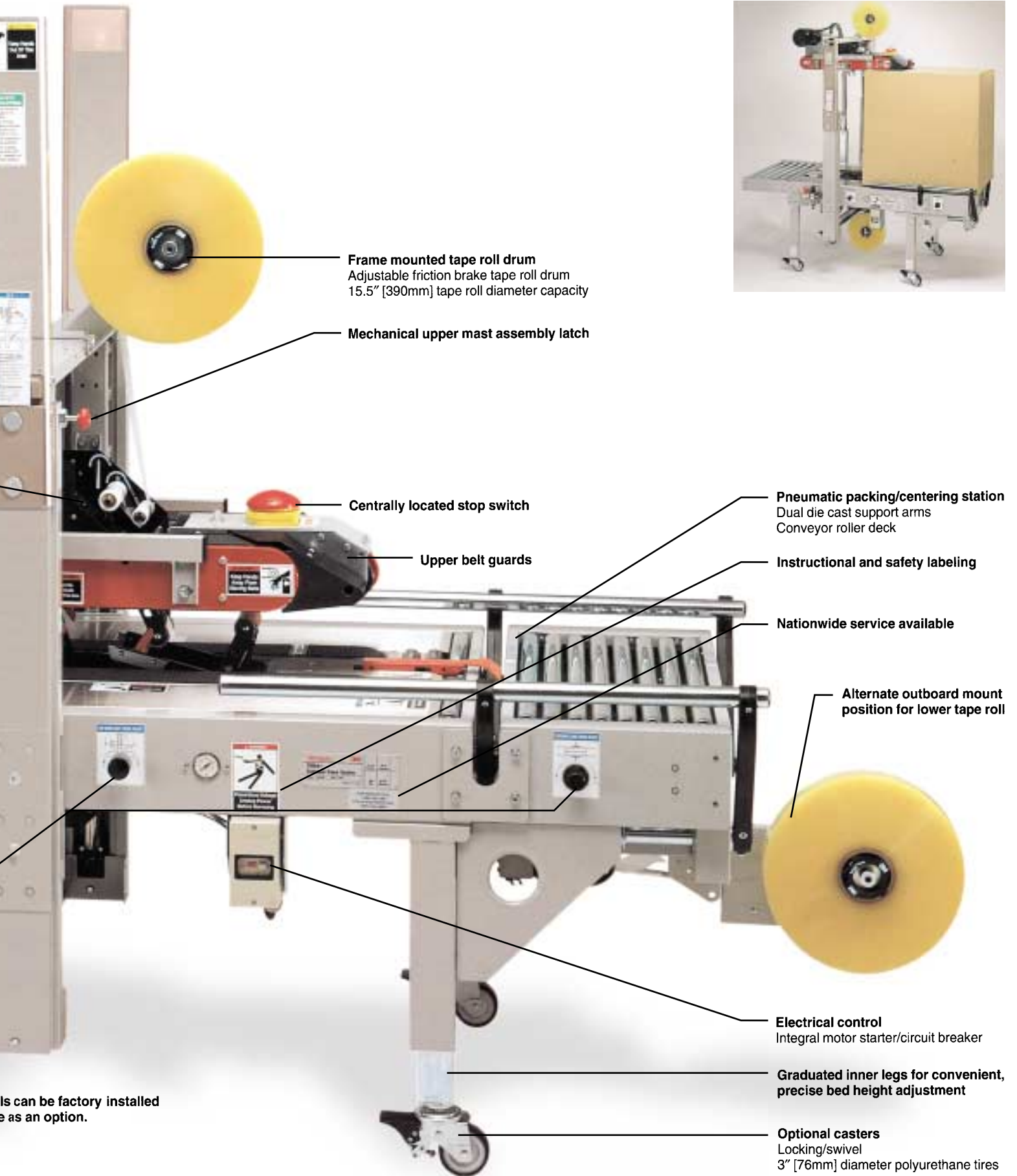
Air filter, regulator, gauge unit
Lockout on/off air valve

Upper drive assembly and
side guide air regulators

Note: All controls
on opposite side



Size Case Sealer



Frame mounted tape roll drum
Adjustable friction brake tape roll drum
15.5" [390mm] tape roll diameter capacity

Mechanical upper mast assembly latch

Centrally located stop switch

Upper belt guards

Pneumatic packing/centering station
Dual die cast support arms
Conveyor roller deck

Instructional and safety labeling

Nationwide service available

Alternate outboard mount position for lower tape roll

Electrical control
Integral motor starter/circuit breaker

Graduated inner legs for convenient, precise bed height adjustment

Optional casters
Locking/swivel
3" [76mm] diameter polyurethane tires

...ls can be factory installed
...e as an option.

3M-Matic™ 700rks Top & Bottom Drive Belt Random King Size Case Sealer

Specifications

Box:

Style: Regular slotted container (RSC).

Bursting test: 125 to 275 lbs. per sq. inch single or double wall, B or C flute.

Size:

	Min	Max
Length	6" [150mm]	No limit
Width	7" [175mm]	25.5" [650mm]

Height ranges:

Crossbar Position	Mast Position			
	Std.		High	
High	10.75" [275mm]	31.5" [800mm]	15.25" [390mm]	38" [915mm]
Std.	4.75" [120mm]	25.5" [650mm]	9.25" [235mm]	30" [760mm]
Low	4.00" [100mm]*	23.5" [600mm]	6.75" [170mm]	27.5" [700mm]

* For heights below 4.25" (110mm) taping heads must be adjusted to apply 2.00" (50mm) tape leg lengths.

Weight: Up to 85 lbs. [38kg]

Packing: Contents must support flaps.

Note: The 3M-Matic™ 700rks Top & Bottom Drive Belt Random King Size Case Sealer can accommodate most boxes within the size range listed above. However, if ratio of:

Box Length _____ is less than .5
Box Height

boxes should be test run to assure proper machine performance.

Tape:

3M Scotch™ brand pressure sensitive box sealing tapes.

Width: 2" [50mm] minimum to 3" [72mm] maximum. Roll diameter: up to 15.5" [390mm] diameter on a 3" [76mm] diameter core.

Machine:

Power:

Electrical — 115 V, 60 Hz, 5.8A, 675 watts, 8 ft. [2.4m] power cord with grounded plug included.

Pneumatic — 85 psig [5.8 bar gauge pressure] 2.5 SCFM [70 liter/min. @ 21°C, 1.01 bar]. A pressure regulator is included.

Weight:

450 lbs. [200kg] uncrated

500 lbs. [227kg] crated

Operating rate: Up to 15 boxes per minute. Actual production rate is dependent on box size, box size mix and operator dexterity. Downward travel of upper drive assembly can be limited to maximize operating rate for certain applications. Two alternate upper drive assembly stop positions are available. Resulting increase in box height minimums are 5.75" [145mm] or 10.75" [270mm].

Box drive belt speed: 75 fpm [.38 m/s]

Operating conditions: Use in dry, relatively clean environments at 40°F to 120°F [4.4°C to 48.9°C] with clean, dry boxes.

Equipment Warranty and Limited Remedy: THE FOLLOWING WARRANTIES ARE MADE IN LIEU OF ALL OTHER WARRANTIES, EXPRESS OR IMPLIED, INCLUDING, BUT NOT LIMITED TO, THE IMPLIED WARRANTY OF MERCHANTABILITY, THE IMPLIED WARRANTY OF FITNESS FOR A PARTICULAR PURPOSE AND ANY IMPLIED WARRANTY ARISING OUT OF A COURSE OF DEALING, A CUSTOM OR USAGE OF TRADE:

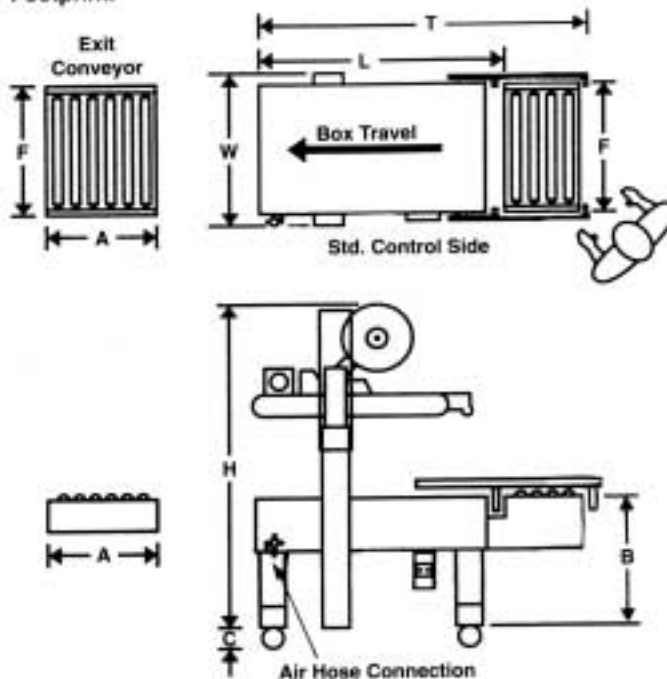
3M sells its 3M-Matic™ 700rks Top & Bottom Drive Belt Random King Size Case Sealer with the following warranties:

1. The Taping Head knife blades, springs and rollers will be free from all defects for ninety (90) days after delivery.
2. All other Taping Head parts will be free from all defects for three (3) years after delivery.
3. All other parts will be free from all defects for 2 years after delivery.

If any part is proved to be defective within its warranty period, then the exclusive remedy and 3M's and seller's sole obligation shall be, at 3M's option, to repair or replace the part, provided

"3M-Matic," "AccuGlide" and "Scotch" are trademarks of 3M.

Footprint:



	W	L	H	A*	B	C**	F
Min inches (mm)	33.75 (855)	42.5 (1080)	49.5 (1260)	16.75 (425)	20.5 (520)	4 (100)	26.75 (700)
Max inches (mm)	33.75 (855)	42.5 (1080)	81.5 (2080)	16.75 (425)	31 (790)	4 (100)	26.75 (700)

* Exit conveyor is optional

** Casters are optional

T=60.25 (1530)

the defective part is returned immediately to 3M's factory or an authorized service station designated by 3M. A part will be presumed to have become defective after its warranty period unless the part is received or 3M is notified of the problem no later than five (5) calendar days after the warranty period. If 3M is unable to repair or replace the part within a reasonable time, then 3M, at its option, will replace the equipment or refund the purchase price. 3M shall have no obligation to provide or pay for the labor required to install the repaired or replacement part. 3M shall have no obligation to repair or replace (1) those parts failing due to operator misuse, carelessness, or due to any accidental cause other than equipment failure, or (2) parts failing due to non-lubrication, inadequate cleaning, improper operating environment, improper utilities, or operator error.

Limitation of Liability: 3M and seller shall not be liable for direct, indirect, special, incidental or consequential damages based upon breach of warranty, breach of contract, negligence, strict liability or any other legal theory. The foregoing Equipment Warranty and Limited Remedy and Limitation of Liability may be changed only by a written agreement signed by authorized officers of 3M and seller.



Packaging Systems Division

3M Center, Building 220-8W-01
St. Paul, MN 55144-1000



Website: www.3M.com/packaging

70-0705-0823-2 (51.5)BE