

FUSION Series

Intermittent Motion Side Seal Wrapper

Fusing Tomorrow's Shrink Packaging Requirements on Today's Budget



Conflex[®] ...Flexible People Make Flexible Systems

- **Fast**—up to 100 feet per minute
- **Flexible**—Expanded sealing capacity for larger package sizes
- **Value Priced**—Operates faster than automatic L-bar sealers and requires less film
- **Safe**—Infeed and seal area guard covers provide safety and easy operator access
- **Compact Footprint**—Allows the machine to fit most packaging environments
- **Tool-less Changeover**—Crank adjustments provide easy, tool-less package size changeovers.

Conflex® ...Flexible People make Flexible Systems

Engineered for maximum flexibility, reliability and performance. Conflex® shrink packaging equipment incorporates leading-edge technology to take on the toughest shrink packaging challenges.

Value Priced—Versatile and Flexible

The Conflex® *FUSION* is setting the new industry standard as the machine of choice for entry-level wrappers. The value price and flexibility of options make it the perfect choice for automatic applications. By fusing the technology and economies of side sealing with the financial commitment of an automatic L-bar sealer, Conflex® makes the *FUSION* the smart choice to fill your shrink wrapping needs.

Conflex® *FUSION* Features and Benefits

- **Color HMI Touch Screen**—Provides intuitive, operator-friendly product setups in three languages
- **Easy Load Film Cradle**—The fast threading process makes changeovers more efficient
- **Self-Tracking Belts**—Eliminate tracking issues and reduces maintenance
- **Open Access/Swing-Out Inverting Head**—Allows fast film threading
- **Large Film Selvage Cone**—Can hold two rolls of film scrap, reducing costly downtime
- **Mushroom Style Cross Seal**—Provides positive hot knife sealing
- **UL Listed Electronics**—For dependable operation
- **Universal Side Sealer**—Runs a variety of films
- **Casters and Leg Levelers**—Standard equipment
- **Multiple Options Available**—Left-to-right product flow, stainless steel and other customizable options available

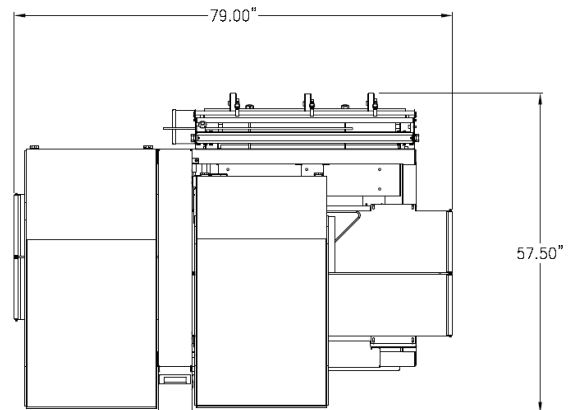
Conflex® *FUSION* Series Specifications

Electrical Requirements	220V, 20 Amps, 1 Phase
Air Requirements	80 psi, 1 cfm
Seal Bar Width and Height	24" wide, 10.5" high
Maximum Film Width	32"
Maximum Roll Diameter	14"
Overall Machine Dimensions	79" L x 57.5" W x 59.5" H
Maximum Operating Speeds	100' film per minute
Deck Height on Casters	34 3/4"
Package Dimensions*	2" L to unlimited L 1" W to 22" W** 1/8" H to 10" H

*May require additional components and set-up time to run the entire size range.

**Product dependent.

Conflex® *FUSION* Series Plan View



The Conflex® engineering department is available to customize machinery for special product applications.

Distributed by:



Conflex Incorporated
Manufacturing Facility:
W130 N 10751 Washington Drive
Germantown, WI 53022

Toll Free: 800-225-4296
Fax: 262-512-1665
Email: info@conflex.com
www.conflex.com

Our Products Protect Your Products®