



## Instructions and Parts List

# AccuGlide™ II

## STD 3 Inch

## Upper and Lower

## Taping Heads

Type 39600

Serial No. \_\_\_\_\_

For reference, record taping head(s) serial number(s) here.

**3M Packaging Systems Division**

3M Center, Building 220-8W-01  
St. Paul, MN 55144-1000



### Important Safety Information

Read "Important Safeguards",  
page 2 and also operating  
"Warnings", page 7

**BEFORE INSTALLING OR  
OPERATING THIS  
EQUIPMENT.**

### Spare Parts

It is recommended you  
immediately order the  
spare parts listed on  
page 17. These parts are  
expected to wear through  
normal use, and should  
be kept on hand to minimize  
production delays.

AccuGlide™ is a Trademark of  
3M, St. Paul, MN 55144-1000

Litho in U.S.A

© 3M 1998 44-0009-1922-3(C28.0)

## To Our Customers:

**This is the 3M-Matic™/AccuGlide™/Scotch™ brand equipment you ordered. It has been set up and tested in the factory with "Scotch" brand tapes. If technical assistance or replacement parts are needed, call or Fax the appropriate number listed below.**

**Included with each machine is an Instructions and Parts List manual.**

### Technical Assistance:

3M-Matic™ Helpline – 1-800/328 1390. Please provide the customer support coordinator with the machine number, machine type/model and serial number. If you have a technical question that does not require an immediate response, you may Fax it to 715/381 0248.

### Replacement Parts and Additional Manuals

Order parts by part number, part description and quantity required. Also, when ordering parts and/or additional manuals, include machine name, number and type. A parts order form is provided at the back of this manual.

#### **3M/Tape Dispenser Parts**

**241 Venture Drive**

**Amery, WI 54001-1325**

**1-800/344 9883**

**FAX# 715/268 8153**

**Minimum billing on parts orders will be \$25.00. Replacement part prices available on request.**

**\$10.00 restocking charge per invoice on returned parts.**

Note : Outside the U.S., contact the local 3M subsidiary for parts ordering information.



**3M Packaging Systems Division**

3M Center, Building 220-8W-01  
St. Paul, MN 55144-1000

"3M-Matic", "AccuGlide" and "Scotch" are trademarks of  
3M, St. Paul, Minnesota 55144-1000  
Printed in U.S.A.

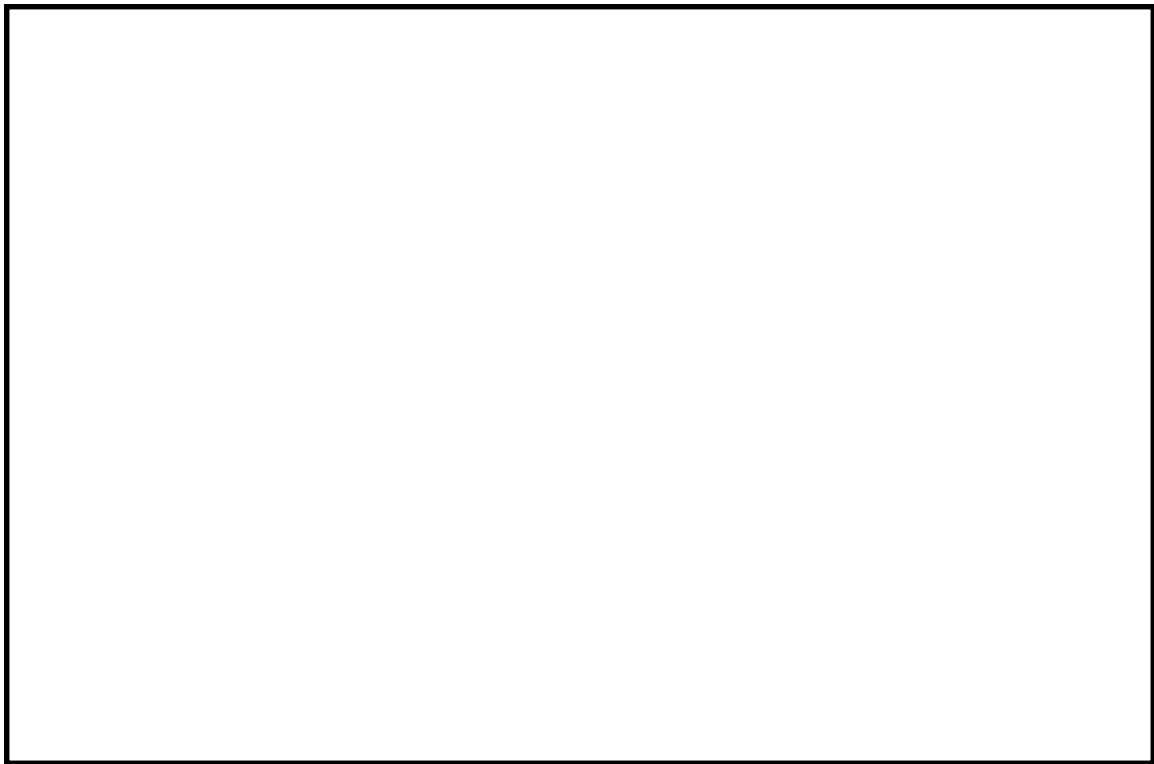
© 3M 1999 44-0009-1851-4(E79.0)

## To Our Customers:

**This is the 3M-Matic™/AccuGlide™/Scotch™ brand equipment you ordered. It has been set up and tested in the factory with "Scotch" brand tapes. If any problems occur when operating this equipment, and you desire a service call, or phone consultation, call, write or Fax the appropriate number listed below.**

**Included with each machine is an Instructions and Parts List manual.**

**SERVICE, REPLACEMENT PARTS AND ADDITIONAL MANUALS  
AVAILABLE DIRECT FROM:**



Order parts by part number, part description and quantity required. Also, when ordering parts and/or additional manuals, include machine name, number and type.

**3M**

**3M Packaging Systems Division**

3M Center, Building 220-8W-01  
St. Paul, MN 55144-1000  
1-800/328 1390

"3M-Matic", "AccuGlide" and "Scotch" are trademarks of  
3M, St. Paul, Minnesota 55144-1000

Printed in U.S.A.

© 3M 1999 44-0009-1852-2(D79.0)

# Instruction Manual

AccuGlide™ II STD 3 Inch  
Upper and Lower Taping Heads  
Type 39600

<b>Table of Contents</b>	<b>Page</b>
Equipment Warranty and Limited Remedy .....	ii
Taping Head Contents .....	ii
Intended Use .....	1
Important Safeguards .....	2
Specifications .....	3 - 4
Dimensional Drawing .....	4
Installation .....	5
Receiving and Handling .....	5
Installation Guidelines .....	5
Tape Leg Length .....	5
Tape Width Adjustment .....	5
Operation .....	6 - 8
Tape Loading – Upper Taping Head .....	7 - 8
Tape Loading – Lower Taping Head .....	7 - 8
Maintenance .....	9 - 10
Knife Replacement .....	9
Knife Guard .....	9
Knife Oiler Pad .....	9
Cleaning .....	9
Lubrication .....	10
Applying/Buffering Roller Replacement .....	10
Adjustments .....	11 - 13
Tape Web Alignment .....	11
Tape Drum Friction Brake .....	11
Applying Mechanism Spring .....	12
One-Way Tension Roller .....	12
Tape Leg Length .....	13
Leading Tape Leg Length Adjustment .....	13
Changing Tape Leg Length From 70 to 50 mm [2-3/4 to 2 Inch] .....	13
Troubleshooting .....	15 - 16
Troubleshooting Guide .....	15 - 16
Spare Parts/Service Information .....	17
Recommended Spare Parts .....	17
Replacement Parts and Service .....	17
Replacement Parts Illustrations and Parts List .....	Yellow Section 18 - 35

**Equipment Warranty and Limited Remedy: THE FOLLOWING WARRANTY IS MADE IN LIEU OF ALL OTHER WARRANTIES, EXPRESS OF IMPLIED, INCLUDING, BUT NOT LIMITED TO, THE IMPLIED WARRANTY OF MERCHANTABILITY, THE IMPLIED WARRANTY OF FITNESS FOR A PARTICULAR PURPOSE AND ANY IMPLIED WARRANTY ARISING OUT OF A COURSE OF DEALING, A CUSTOM OR USAGE OF TRADE:**

3M sells its **AccuGlide™ II STD 3 Inch Upper and Lower Taping Heads, Type 39600** with the following warranties:

1. The Taping Head knife, springs, and rollers will be free from all defects for ninety (90) days after delivery.
2. All other Taping Head parts will be free from all defects for three (3) years after delivery.

If any part is proved to be defective within its warranty period, then the exclusive remedy and 3M's and seller's sole obligation shall be, at 3M's option, to repair or replace the part, provided the defective part is returned immediately to 3M's factory or an authorized service station designated by 3M. A part will be presumed to have become defective after the warranty period unless the part is received or 3M is notified of the problem no later than five (5) calendar days after the warranty period. If 3M is unable to repair or replace the part within a reasonable time, then 3M, at its option, will replace the equipment or refund the purchase price. 3M shall have no obligation to provide or pay for the labor required to install the repaired or replacement part. 3M shall have no obligation to repair or replace (1) those parts failing due to operator misuse, carelessness, or due to any accidental cause other than equipment failure, or (2) parts failing due to non-lubrication, inadequate cleaning, improper operating environment, improper utilities, or operator error.

**Limitation of Liability:** 3M and seller shall not be liable for direct, indirect, special, incidental or consequential damages based upon breach of warranty, breach of contract, negligence, strict liability or any other legal theory.

The foregoing Equipment Warranty and Limited Remedy and Limitation of Liability may be changed only by a written agreement signed by authorized officers of 3M and seller.

---

## **Taping Head Contents**

---

**AccuGlide™ II STD 3 Inch Upper and Lower Taping Heads consist of:**

<b>Qty.</b>	<b>Part Name</b>
1	Taping Head Assembly
1	Tape Drum and Bracket Assembly
1	Hardware and Spare Parts Kit
1	Threading Tool

---

---

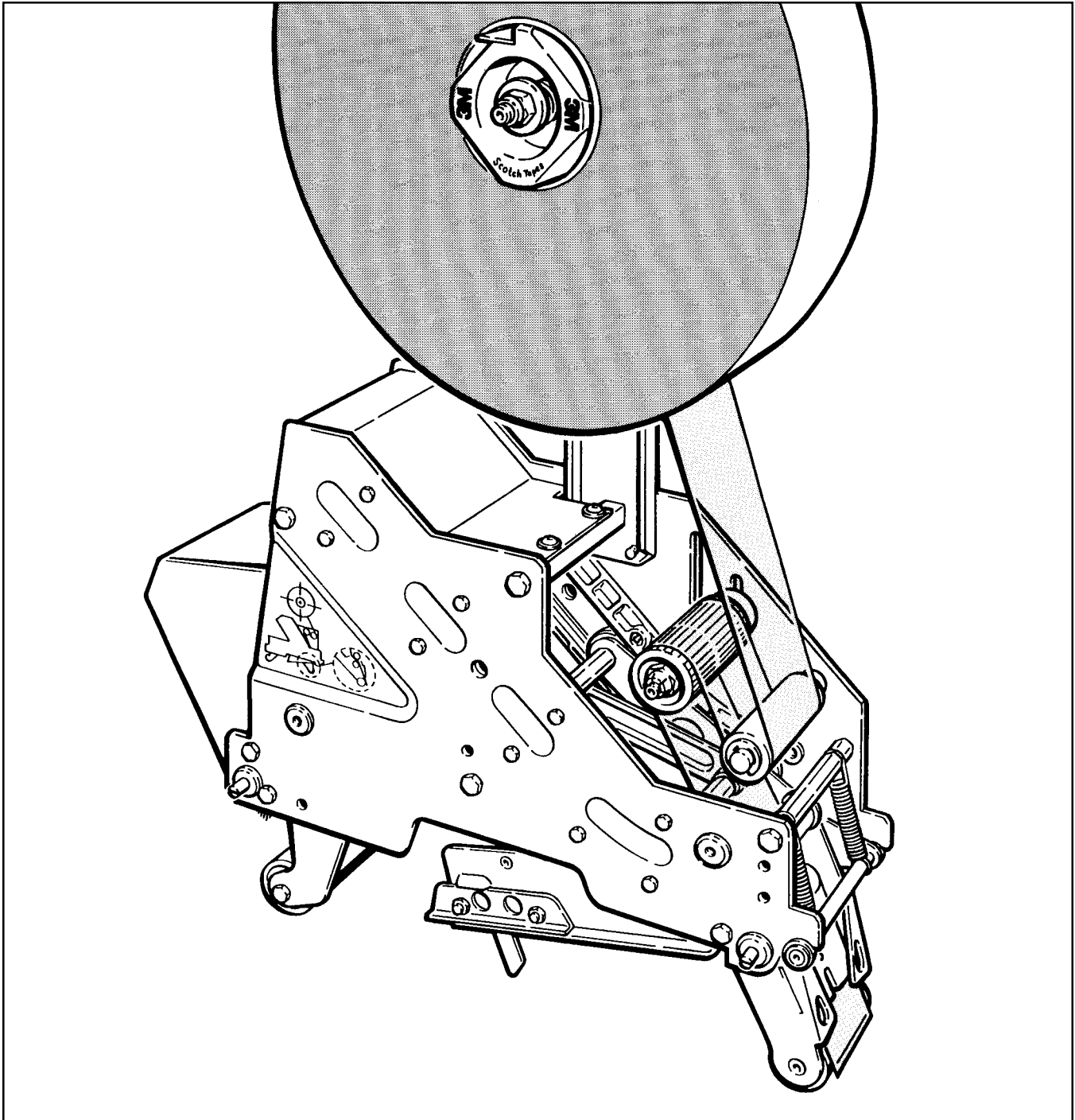
## Intended Use

---

The intended use of the **AccuGlide™ II STD 3 Inch Upper and Lower Taping Heads** is to apply a "C" clip of **Scotch™** brand pressure-sensitive film box sealing tape to the top and/or bottom center seam of regular slotted containers.

These taping heads are incorporated into most standard **3M-Matic™** case sealers. The compact

size and simplicity of the taping head also makes it suitable for mounting in box conveying systems other than **3M-Matic™** case sealers. This includes replacement of other types of taping, gluing or stapling heads in existing case sealing machines. The **AccuGlide™ II STD Taping Heads** have been designed and tested for use with **Scotch™** brand pressure-sensitive film box sealing tape.



**AccuGlide™ II STD 3 Inch Upper Taping Head, Type 39600**

## Important Safeguards



This safety alert symbol identifies important safety messages in this manual. **READ AND UNDERSTAND THEM BEFORE INSTALLING OR OPERATING THIS EQUIPMENT.**

**Important** – In the event the following safety labels are damaged or destroyed, **they must be replaced to ensure operator safety.** See Parts Drawing/Lists, pages 18-35 for label part numbers.

The “**Warning-Sharp Knife**” label warns operators and service personnel of the extremely sharp knife used to cut the tape at the end of the box sealing operation. The label shown in Figure 1-1 is located on the orange knife guard between the applying roller assembly and the buffing roller assembly. **Never operate taping heads with knife guard removed.**

Before working with the taping heads or loading/threading tape, refer to Figures 3-1 and 3-2 (page 6) to identify the knife location. **Keep hands out of these areas except as necessary to service the taping heads or to load/thread tape.**

The “**Tape Threading Label**”, shown in Figure 1-2, is attached to the left side of both the upper and lower taping heads. This label provides a convenient tape threading diagram. More detailed tape loading and threading information is provided in the “Operation” section this manual.

**Turn air and electrical supplies “Off” before servicing the taping heads.**



Figure 1-1 – Knife Warning Label

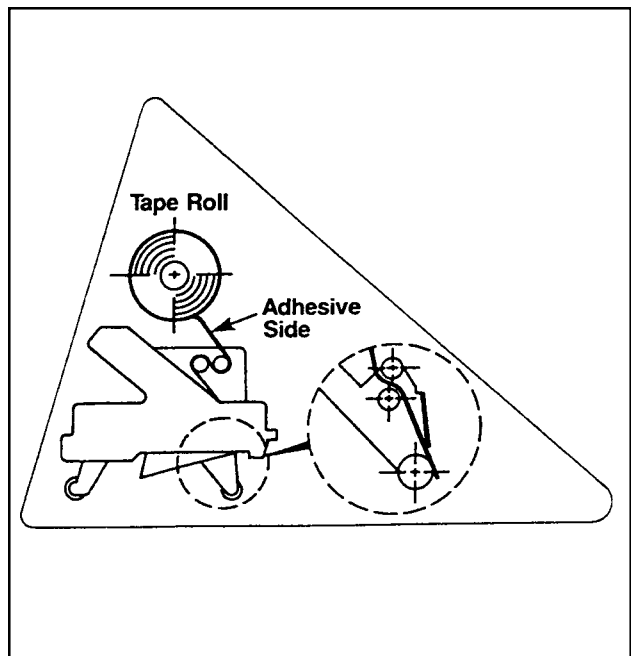


Figure 1-2 – Tape Threading Label

# Specifications

1. **Tape:**

For use with “**Scotch**” brand pressure-sensitive film box sealing tapes.

2. **Tape Width:**

48 mm [2 inches] minimum to 72 mm [3 inches] maximum.

3. **Tape Roll Diameter:**

Up to 405 mm [16 inches] maximum on a 76.2 mm [3 inch] diameter core.  
(Accommodates all system roll lengths of “**Scotch**” brand film tapes.)

4. **Tape Application Leg Length - Standard:**


70 mm ± 6 mm [2-3/4 inches ± 1/4 inch]

**Tape Application Leg Length - Optional:**

50 mm ± 6 mm [2 inches ± 1/4 inch] (See "Adjustments – Tape Leg Length", page 13.)

5. **Box Size Capacities:**

For use with center seam regular slotted containers.

<b>Minimum</b>		<b>Maximum</b>
Length –	150 mm [6 inches]	Unlimited
Height –	120 mm [4-3/4 inches] (most “3M-Matic” Case Sealers) 90 mm [3-1/2 inches] (with optional 2 inch leg length)	 Limited by Case Sealer
Width –	150 mm [6 inches]	

When upper and lower taping heads are used on “**3M-Matic**” case sealers, refer to the respective instruction manual specifications for box weight and size capacities.

6. **Operating Rate:**

Conveyor speeds up to 0.40 m/s [80 FPM] maximum.

7. **Operating Conditions:**

Use in dry, relatively clean environments at 5° to 40° C [40° to 105° F] with clean dry boxes.

**Important** – Taping heads should not be washed down or subjected to conditions causing moisture condensation on components.

7. **Taping Head Dimensions:**

Length	–	457 mm [18 inches]
Height	–	560 mm [22 inches] (with tape drum)
Width	–	130 mm [5-1/8 inches] (without mounting spacers)
Weight	–	Packaged: 8.6 kg [19 lbs.] Unpackaged: 7.7 kg [17 lbs.]



# Specifications (Continued)

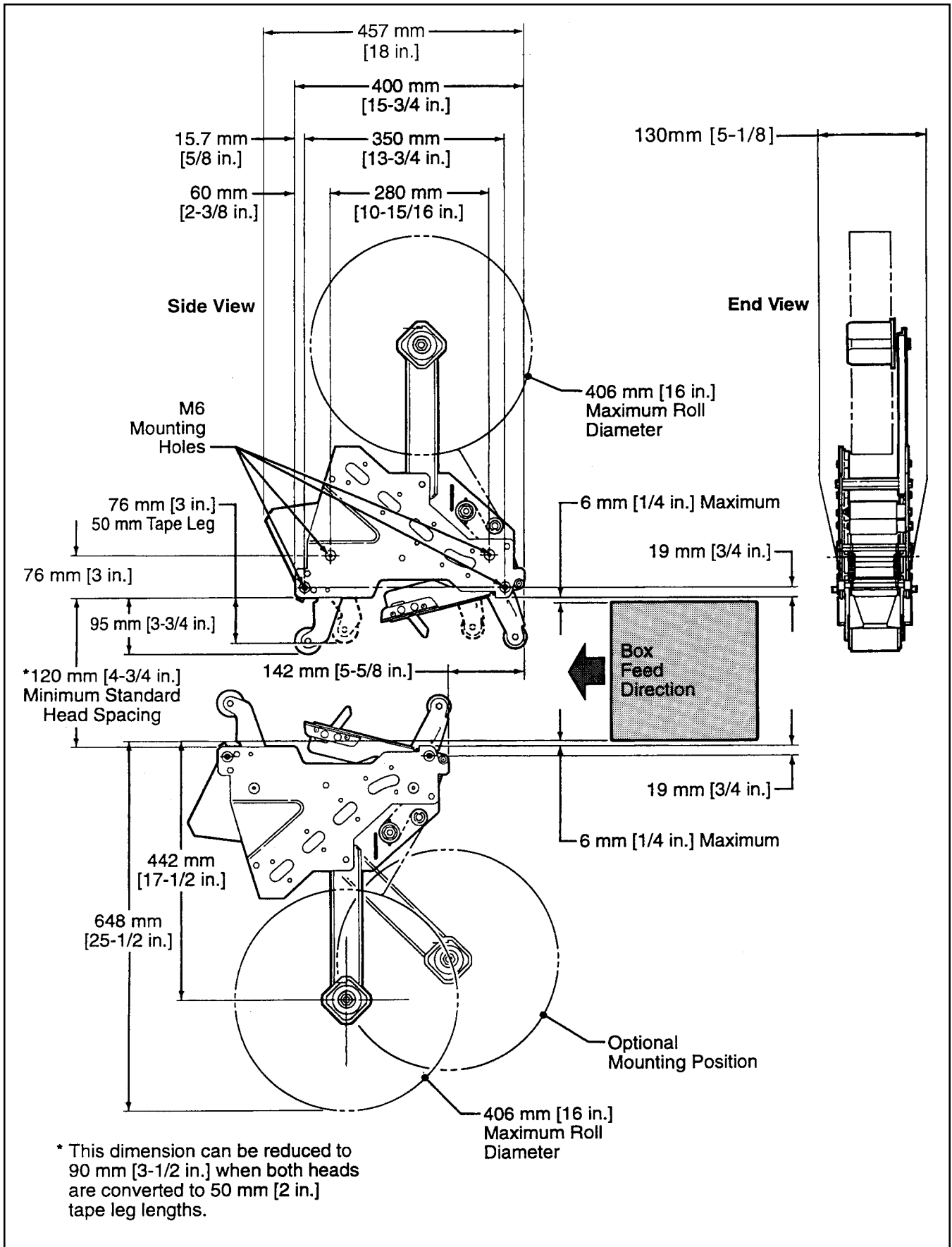


Figure 2-1 – Dimensional Drawing

# Installation



**WARNING – Taping Heads are equipped with an extremely sharp tape cut-off knife. The knife is located under the orange knife guard which has the "Warning – Sharp Knife" label. Before working with the taping heads or loading tape, refer to Figures 3-1 and 3-2 on page 6 and identify the knife location. Keep hands out of these areas except as necessary to service the taping heads.**

## Receiving And Handling

After the taping head assembly has been unpackaged, examine the unit for damage that might have occurred during transit. **If damage is evident, file a damage claim immediately** with the transportation company and also notify your 3M Representative.

## Installation Guidelines

The taping head assembly can be used in converting existing or in custom made machinery. It can be mounted for top taping or bottom taping. Refer to box size specifications on page 3, and Figure 2-1 on page 4, for the following points in making such installations:



**CAUTION – Taping head weighs approximately 7.7 kg [17 lbs] without tape. Remove tape roll before removing taping head from machine to minimize weight. Use proper body mechanics when installing or removing taping head.**

1. The box conveying system must positively propel the box in a continuous motion, **not exceeding 0.40 m/s [80 feet per minute]**, past the taping head assembly since the box motion actuates the taping mechanism.
2. If a pusher or cleated conveyor is being used, steps should be taken in the conveyor design to **prevent the pusher from contacting the applying or buffing roller arms resulting in damage to the taping head.**

3. Figure 2-1 illustrates the typical mounting relationship for opposing taping head assemblies to allow taping of box heights down to 90 mm [3-1/2 inches]. **To tape box heights down to 70 mm [2-3/4 inches], the taping heads must be completely staggered so only one tape seal is being applied at one time.**

**Note – AccuGlide™ II STD taping Heads are supplied with a buffing arm guard. This guard may have to be removed to install the taping head into some older design 3M-Matic™ case sealers. If this is the case, remove the four guard mounting screws, remove the guard and then install the taping head.**

4. Mounting studs are provided with the taping head, but special installations may require alternate means for mounting.
5. Box hold-down or guide skis should be provided and the taping head mounted so that the side plates are 6 mm [1/4 inch] maximum away from the ski surface on which the box rides.

## Tape Leg Length

Taping heads are factory set to apply standard 70 mm [2-3/4 inch] tape legs. The heads can be converted to apply 50 mm [2 inch] tape legs if desired but both upper and lower heads must be set to apply the same tape leg length. See "Adjustments – Changing Tape Leg Length From 70 to 50 mm [2-3/4 to 2 Inches]", page 13.

Also, the conveyor speed at which the product moves through the taping heads, affects the leading and trailing tape leg length. See, "Adjustments – Leading Tape Leg Length Adjustment", page 13.

## Tape Width Adjustment

Taping heads are factory set to apply 72 mm [3 inch] wide tape. If it is necessary to align the tape or to apply narrower tapes, refer to "Adjustments – Tape Web Alignment", page 11 for set-up procedure.

# Operation

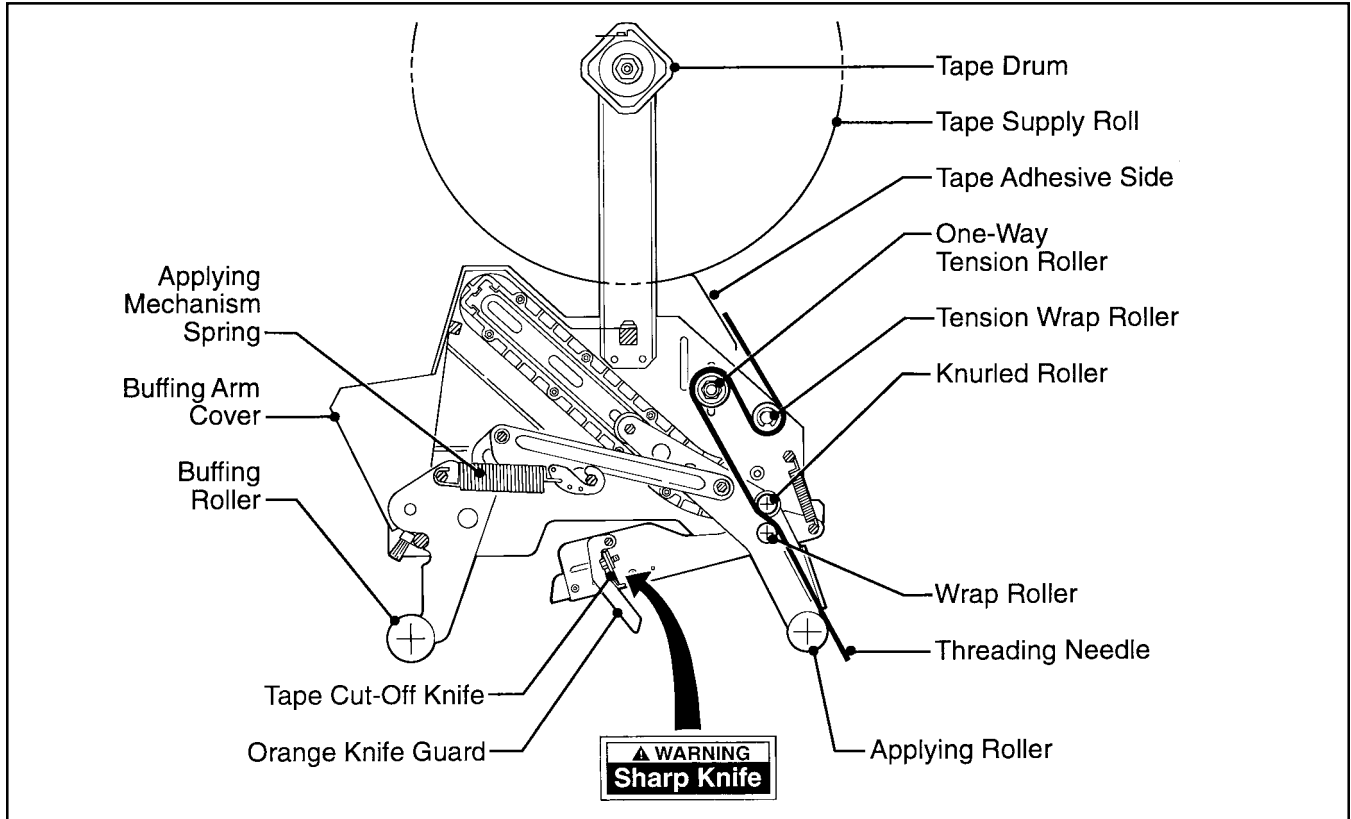


Figure 3-1 – Taping Head Components/Threading Diagram, Upper Head (Left Side View)

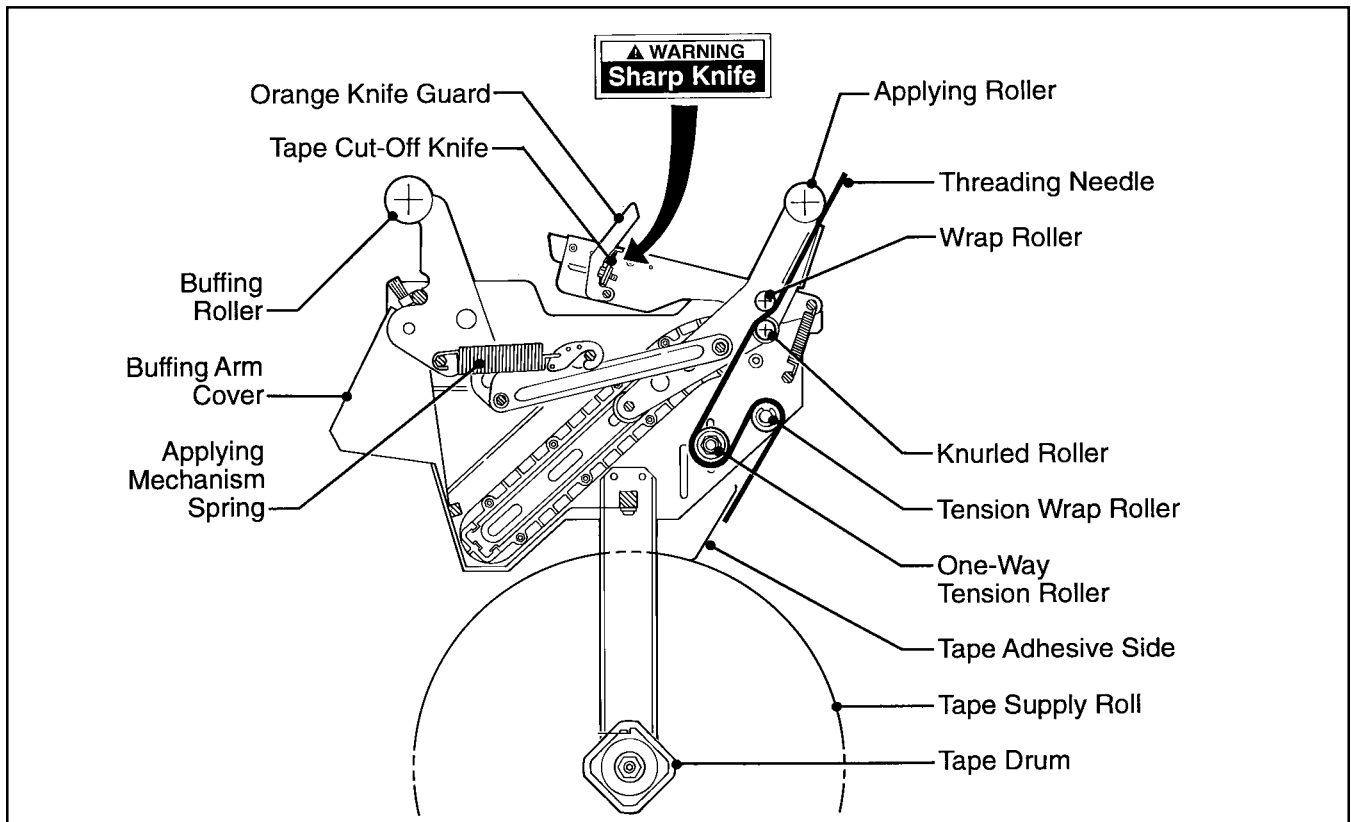


Figure 3-2 – Taping Head Components/Threading Diagram – Lower Head (Left Side View)

## Operation (Continued)



### WARNINGS

1. Turn air and electrical supplies off and disconnect before servicing taping heads.
2. Never attempt to work on the taping heads or load tape when the box drive system is running.
3. Taping heads are equipped with an extremely sharp cut-off knife. Before working with the taping heads or attempting to load/thread tape, refer to Figures 3-1 and 3-2 and identify the knife location. Keep hands out of these areas except as necessary to service the taping heads.
4. Failure to comply with these warnings can result in severe personal injury and/or equipment damage.

It is recommended that the detailed instructions and sketches in this manual be referred to the first few times the taping head is loaded/threaded until the operator becomes thoroughly familiar with the tape loading operation.



**CAUTION – Taping head weighs approximately 7.7 kg [17 pounds] without tape. Use proper body mechanics when removing or installing taping head.**

### Tape Loading – Upper Taping Head

1. Raise the upper taping head to a convenient working position.
2. Use the plastic threading needle (provided) and follow the loading procedures (Figures 3-3 to 3-5) to complete the tape threading.

If threading needle is not available, install tape roll and fold a tape tab approximately 455 mm [18 in] long on leading edge of tape for threading.

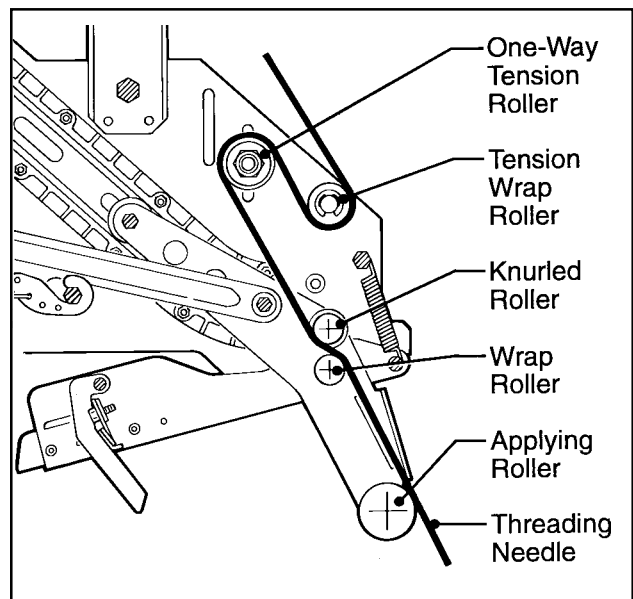
### Tape Loading – Lower Taping Head

1. For ease in loading, first remove the lower taping head from the conveyer bed.

2. The lower taping head is loaded and threaded in the same manner as the upper head. Follow the upper taping head tape loading/threading procedure.

**Figure 3-3**

Insert threading needle through rollers in direction indicated by arrows.

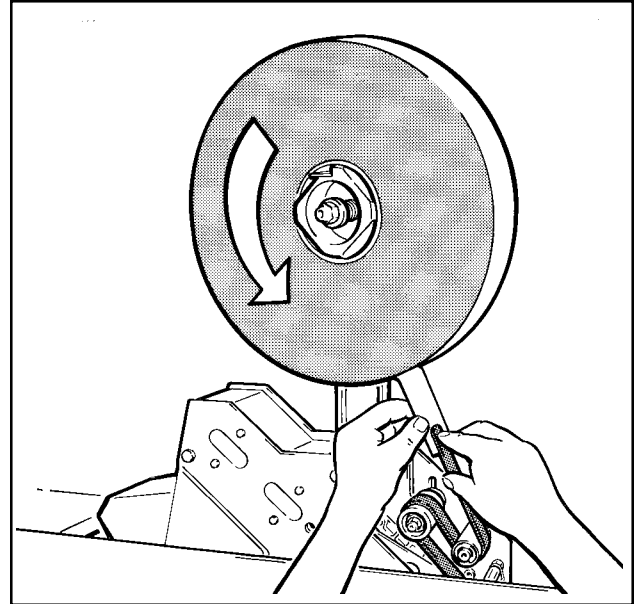


**Figure 3-3 – Tape Loading/Threading**

## Operation (Continued)


**Figure 3-4**

Place tape roll on tape drum to dispense tape with adhesive side forward. Seat tape roll fully against back flange of drum. Adhere tape lead end to threading needle as shown.



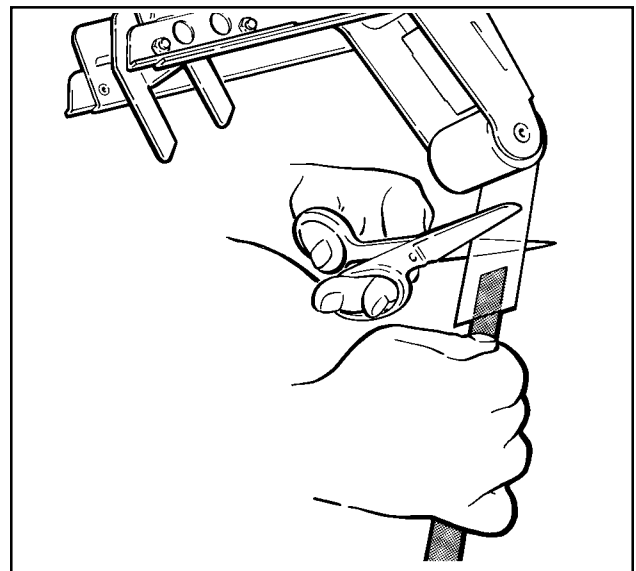
**Figure 3-4 – Tape Loading/Threading**

**Figure 3-5**

 **WARNING** – Use care when working near tape cut-off knife as knife is extremely sharp. If care is not taken, severe personal injury could result.

Manually turn tape roll to create slack tape while pulling threading needle through tape applying mechanism until needle is through and tape is in alignment with applying roller.

Excess tape can be cut with a scissors at applying roller.



**Figure 3-5 – Tape Loading/Threading**

## Maintenance



### WARNINGS

1. Turn air and electrical supplies off and disconnect before beginning maintenance.
2. Use care when working near tape cut-off knife as knife is extremely sharp.
3. Failure to comply with these warnings could result in severe personal injury or equipment damage.

The **AccuGlide™ STD II 3 Inch Taping Head** has been designed for long, trouble free service. The taping head will perform best when it receives routine maintenance and cleaning. Taping head components that fail or wear excessively should be promptly repaired or replaced to prevent damage to other portions of the head or to the product.

#### Knife Replacement, Upper and Lower Taping Heads – Figure 4-1

1. Loosen, but do not remove, the knife screws **(A)**. Remove and discard old knife.
2. Mount the new knife **(B)** with the **beveled side away** from the knife holder.
3. Bottom the knife slots against the screws. (This will position the knife at the correct angle.) Tighten the knife screws to secure the knife.

**Note** – Check the knife position to insure proper clearance between knife and guard by slowly pivoting the knife guard back.

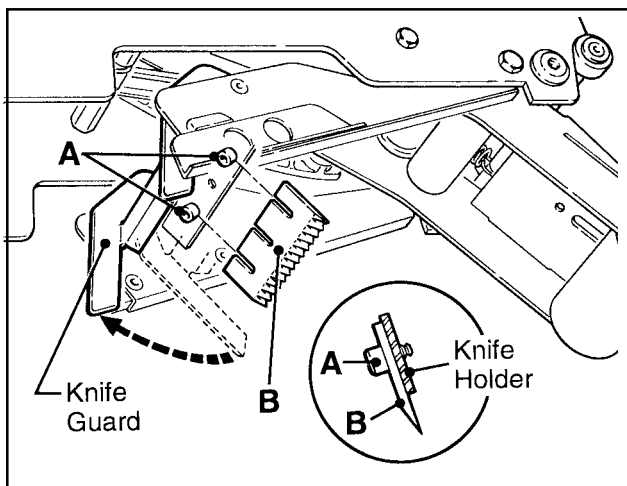


Figure 4-1 – Knife Replacement

#### Knife Guard

The knife guard covers the knife whenever a box is not being taped. Periodically check to be sure the knife guard is functioning properly and returning to cover the knife. Replace any defective parts.

#### Knife Oiler Pad

The taping heads are equipped with a felt oiler pad that has been pre-lubricated at the factory to provide a film of oil on the cutting edge of the knife to reduce adhesive build-up. Apply SAE #30 non-detergent oil as needed. **Saturate felt oiler pad.**

Should tape adhesive build-up occur on knife, carefully wipe clean with an oily cloth.

#### Cleaning

Regular slotted containers produce a great deal of dust and paper chips when conveyed through taping heads. If this dust is allowed to build-up on the heads, it can cause wear on the moving parts. Excessive dirt build-up should be wiped off with a damp cloth. Cleaning should be done **once per month**, depending on the number and type of boxes used. If the boxes used are dirty, or if the environment in which the heads operate is dusty, cleaning on a more frequent basis may be necessary.

**Note** – Never attempt to remove dirt from taping heads by blowing it out with compressed air. This can cause the dirt to be blown inside the components onto sliding surfaces. Dirt in these areas can cause serious equipment damage. Never wash down or subject taping heads to conditions causing moisture condensation on components. Serious equipment damage could result.

## Maintenance (Continued)

### WARNINGS

1. Turn air and electrical supplies off and disconnect before beginning maintenance.
2. Use care when working near tape cut-off knife as knife is extremely sharp.
3. Failure to comply with these warnings could result in severe personal injury or equipment damage.

### Lubrication

Like most other equipment, the taping head must be properly lubricated to insure long, trouble free service.

Figure 4-2 illustrates points which should be lubricated **every 3 months or 150,000 machine cycles**, whichever comes first. Lubricate the rotating and pivoting points noted by the arrows (➔) with SAE #30 non-detergent oil. At the same time, a small amount of multipurpose grease should be applied to the guides and to the end of each spring where the loop is secured at an eyelet, post, or hole noted by arrows (⇔).

**Note** – Wipe off excess oil and grease. It will attract dust and dirt which can cause premature equipment wear and jamming. Take care that oil and grease are not left on the surface of rollers around which tape is threaded, as it can contaminate the tape's adhesive.

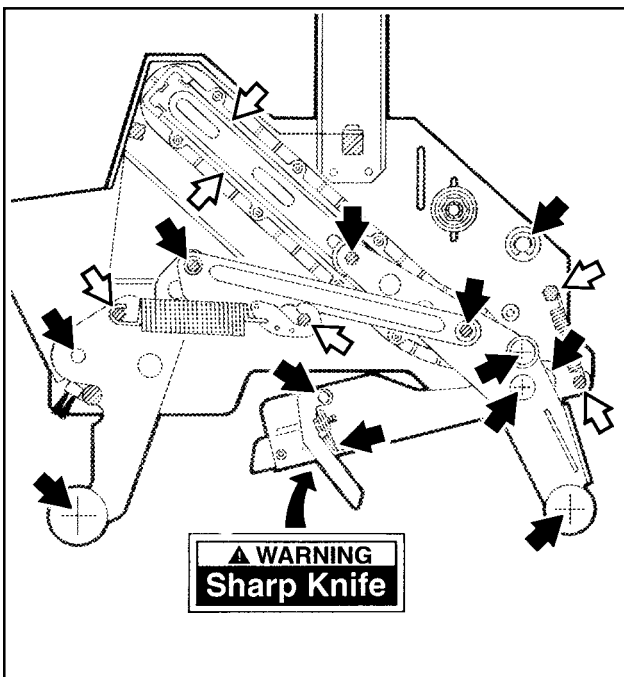


Figure 4-2 – Lubrication Points, Upper and Lower Taping Heads

### Applying/Buffering Roller Replacement

Replacing roller requires removal of shaft and mounting screws. With no area on the shaft to grip, the shaft often turns when attempting to remove the second screw.

To ease removal of second screw, a 4 mm hex socket has been provided at the bottom of the threads in both ends of the shaft. Insert a 4 mm hex key wrench into this socket after removing one screw to hold the shaft for removal of the second screw. See Figure 4-3.

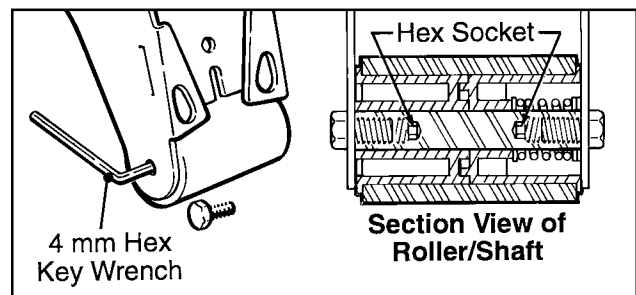


Figure 4-3 – Section View of Roller Shaft

## Adjustments

**WARNING** – Turn air and electrical supplies off and disconnect before beginning adjustments. Failure to comply with this warning could result in severe personal injury and/or equipment damage.

### Tape Web Alignment – Figure 5-1

The STD tape drum assembly is pre-set to accommodate 72 mm [3 inch] wide tape. The tape drum assembly is adjustable to provide alignment of narrower tapes. If adjustment is necessary to center the tape width on the centerline of the taping head, (and therefore box center seam), make adjustment as follows:

1. Loosen the locking hex nut behind tape drum bracket on tape drum shaft. Use an adjustable wrench or 25 mm open end wrench.

**Note** – To set up 72 mm tape drum for 48 mm tape, disassemble tape drum from bracket and install lock nut between tape drum and bracket as shown in inset, Figure 5-2.

2. Turn tape drum shaft in or out to center the tape web (use 5 mm hex wrench).
3. Tighten locking hex nut to secure the adjustment.

No other components require adjustment for tape web alignment.

### Tape Drum Friction Brake – Figure 5-2

The tape drum friction brake on each taping head is **pre-set** for normal operation to prevent tape roll over travel. Should tension adjustment be required, **turn the self-locking nut on the shaft to vary compression of the spring**. Turn the nut **clockwise to increase** the braking force, and **counterclockwise to decrease** the braking force. Adjust brake to minimum tension to prevent excessive tape roll over travel.

**Note** – Excess braking force will cause poor tape application and may lead to tape tabbing on the trailing tape leg.

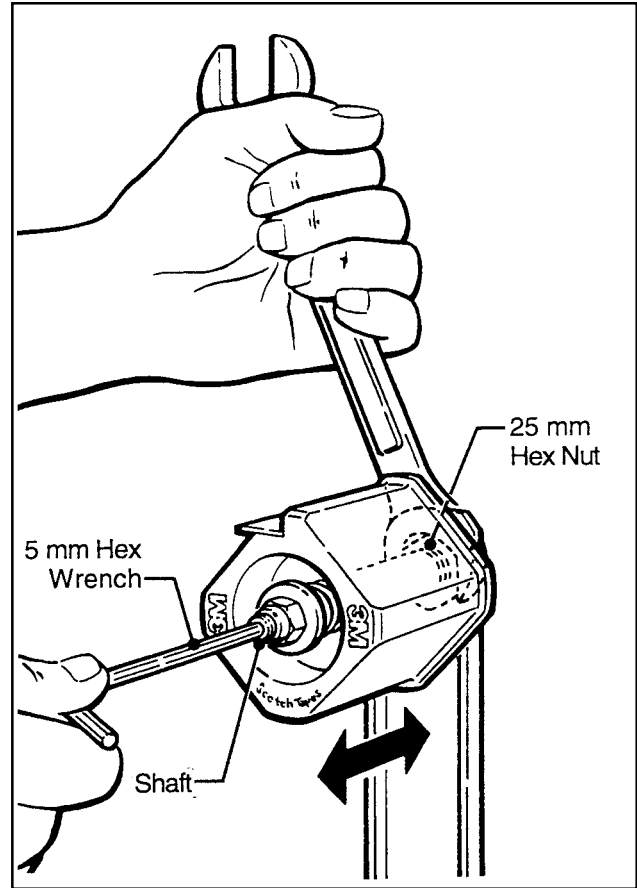


Figure 5-1 – Tape Web Alignment

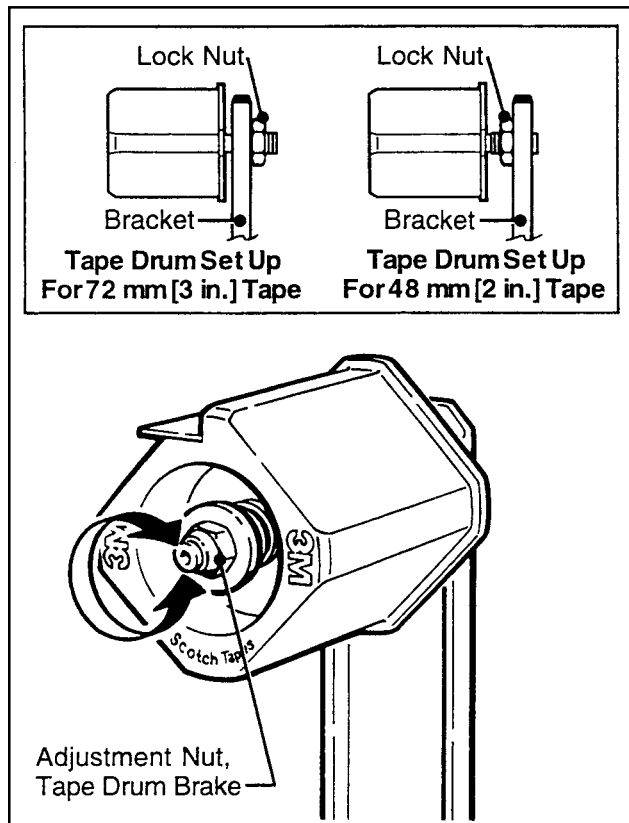


Figure 5-2 – Tape Drum Friction Brake



## Adjustments (Continued)



**WARNING – Turn air and electrical supplies off and disconnect before beginning adjustments. Failure to comply with this warning could result in severe personal injury and/or equipment damage.**

### Applying Mechanism Spring

To obtain access to the spring, remove the taping head cover (four mounting screws). Replace cover when finished.

The applying mechanism spring, shown in Figures 3-1 and 3-2, controls applying and buffing roller pressure on the box and returns the mechanism to the reset position. The spring pressure is pre-set, as shown in Figure 5-3A for normal operation, but is adjustable.

If a tape gap appears on the trailing surface of the box increase spring pressure. If the front of the box is being crushed by the applying roller decrease spring pressure.

Removing the spring end loop from the spring holder and placing loop in other holes provided, as shown in Figure 5-3B, will adjust the spring pressure.

### One-Way Tension Roller

Figure 5-4

The one-way tension roller is factory set. When replacing this assembly, the roller must have 0,5 kg [1 lb.] minimum tangential force when turning.

To Adjust Tension:

1. Wrap a cord or small strap (non-adhesive) 4-6 turns around the tension roller.
2. Attach a spring scale to the end of the cord or strap.
3. Turn the adjusting nut with the socket wrench provided, until a force of approximately 0.5 kg to 0.9 kg [1 to 2 lbs.] is required to turn the roller by pulling on the spring scale.

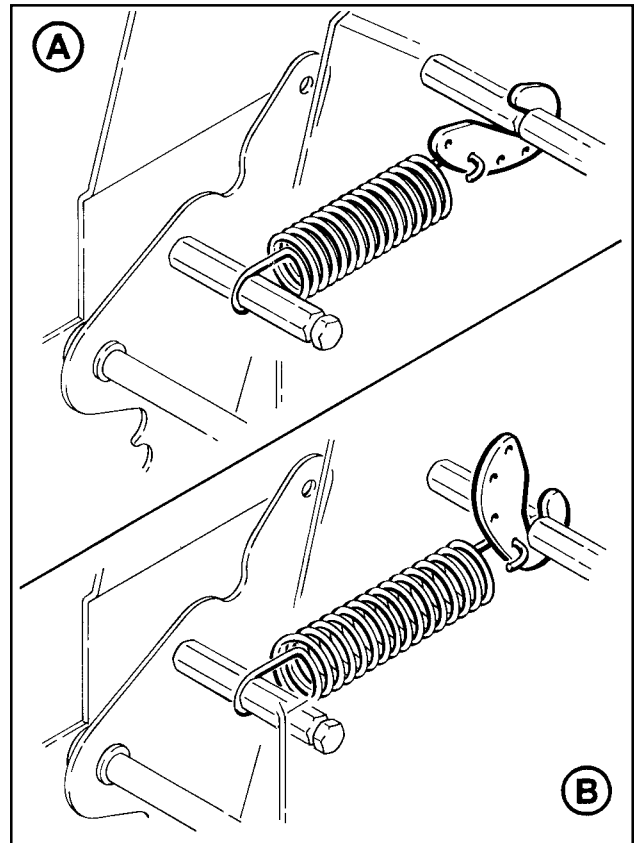


Figure 5-3 – Applying Mechanism Spring

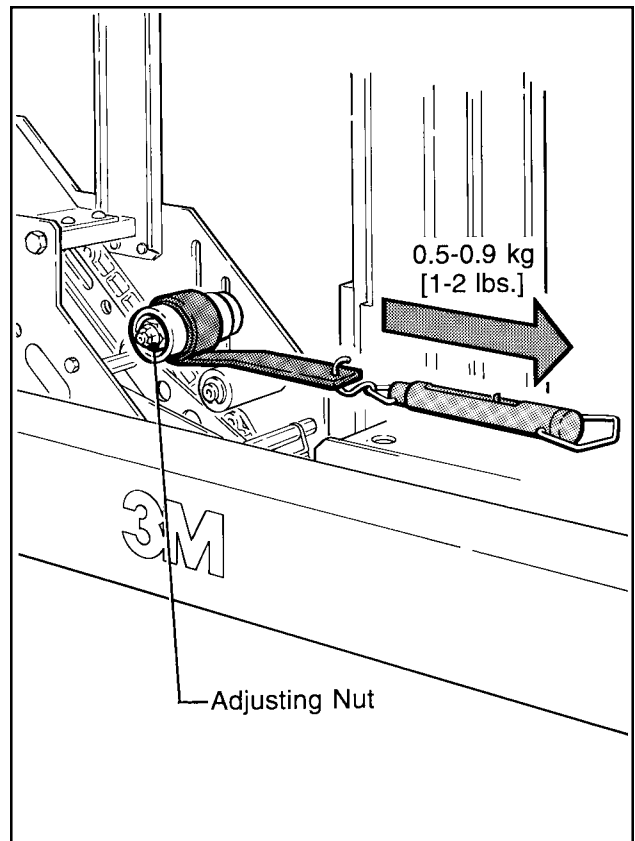


Figure 5-4 – One-Way Tension Roller

## Adjustments (Continued)

**WARNING** – Turn air and electrical supplies off and disconnect before beginning adjustments. Failure to comply with this warning could result in severe personal injury and/or equipment damage.

### Tape Leg Length

**WARNING** – Use care when working near cut-off knife as knife is extremely sharp. If care is not taken, severe injury could result.

#### LEADING TAPE LEG LENGTH ADJUSTMENT – Figure 5-5

The one-way tension roller position is adjustable to control the leading tape leg length.

Moving this roller farther away from the box top or bottom surface will decrease the leading leg length. Moving it closer to the box top or bottom surface will increase the leading leg length.

#### CHANGING TAPE LEG LENGTH FROM 70 to 50 mm [2-3/4 TO 2 INCHES] – Figure 5-6

**Note** – When changing tape leg length, both upper and lower heads must be adjusted to apply the same leg lengths.

1. Remove and retain two hex head screws and remove the brush from normal position "A" on side frame.
2. Remount and secure brush in position "A-A" on side frame forward of normal location using original fasteners.
3. Remove cut-off bracket extensions from position "B".
4. Remount cut-off bracket extensions in forward position "B-B".
5. Remove and retain the one-way tension roller assembly from slot "C" in frame.
6. Remount tension roller assembly near top of slot "C-C" in frame using original fasteners.
7. Adjust tension roller according to "Leading Tape Leg Length Adjustment" above.

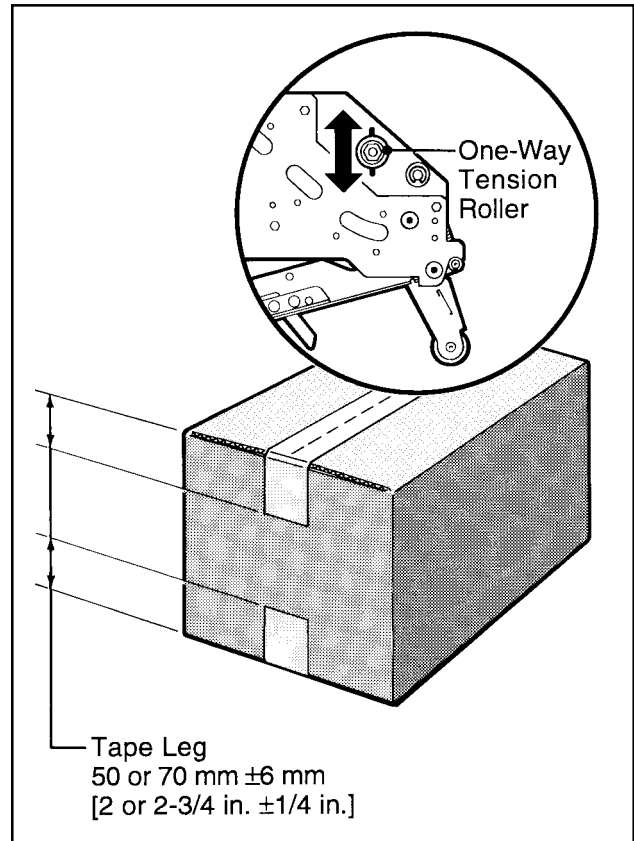


Figure 5-5 – Leading Tape Leg Length

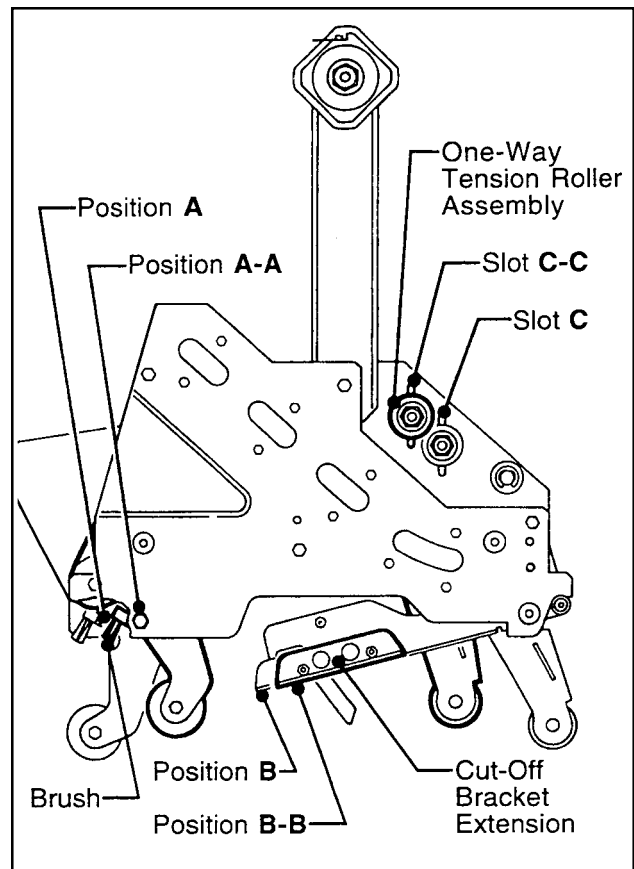


Figure 5-6 – Changing Tape Leg Length

**THIS PAGE IS BLANK**

---

## Troubleshooting

---

### Troubleshooting Guide

<b>Problem</b>	<b>Cause</b>	<b>Correction</b>
The tape leg on the front of the case is too long	The tape is threaded incorrectly	The tape must go around the wrap roller before going around the one-way tension roller
	The tape tension is too low	Adjust the one-way tension roller
	The knurled roller drags	Check for adhesive build-up between the knurled roller and its shaft. Clean and lubricate shaft. Remove all lubricant from roller surfaces.
	Tape tracks to one side or drags on the support tabs of applying frame	Adjust the tape web alignments
	The one-way tension roller is not correctly positioned	Position the roller in its mounting slot so that the tape extends just beyond the centerline of the applying roller
	Taping head is not set up properly	Check leg length adjustments
The knife does not cut tape or the tape end is jagged or shredded	The knife is dull and/or has broken teeth	Replace the knife
	Tape tension is insufficient	Increase tape tension by adjusting the one-way tension roller
	Adhesive has built up on the knife	Clean and adjust the knife
	The knife is not positioned properly	Make sure the knife is bottomed out against the mounting bolts
	The knife is dry	Lubricate the knife oiler pad on the knife guard
	The knife is in backwards	Mount the knife so that the beveled edge is away from the entrance of the head
	One or both cutter springs are missing or stretched	Replace the defective spring(s)
	Tension roller surface is not fully contacting the taping head frame	Make sure one-way bearing is below the surface of the tension roller. If not, press bearing further into roller or replace roller.

---

(Continued)

## Troubleshooting (Continued)

### Troubleshooting Guide

Problem	Cause	Correction
Tape is tabbing on the trailing leg on the back of the box	There is excess tension on the tape drum assembly and/or the one-way tension roller assembly	Adjust the one-way tension roller and/or the tape drum assembly
	Rollers in the tape path do not rotate freely	Clean adhesive deposits from the surface, ends, and shafts of the rollers. Then lubricate roller shafts. Remove all lubricant from roller surfaces.
	The knife is not cutting tape properly	Refer to tape cutting problems
	The tape is threaded incorrectly	Rethread the tape
The tape end does not stay in application position in front of the applying roller	Applying mechanism spring has too little tension	Move spring hook to next tighter hole
	The tape is incorrectly threaded	Rethread the tape
	Flanged knurled roller overruns on return of applying mechanism to its rest position	Adjust tension roller position in mounting slot to lengthen tape leg
	Applying roller overruns on return of applying mechanism to its rest position	There should be a slight drag when rotating the applying roller. If not, check friction springs and/or friction pins and replace if necessary
	The one-way tension roller is not correctly positioned	Position roller in its mounting slot so that tape end extends beyond centerline of applying roller
	The one-way tension roller is defective	Replace the one-way tension roller
Tape not centered on box seam	Tape drum not centered	Reposition tape drum
	Centering guides not centered	Adjust centering guides
	Box flaps not of equal length	Check box specifications

---

## Spare Parts/Service Information

---

### Recommended Spare Parts

A set of spare parts that will periodically require replacement due to normal wear is supplied with the taping heads. The set includes the following which should be reordered when used to keep the taping heads in production:

#### AccuGlide™ II STD 3 Inch Upper Taping Head

Qty.	Ref. No.	Part Number	Description
4	2948-22	78-8076-4500-3	Stud – Mounting
1	2950-10	78-8070-1274-1	Spring – Upper Extension (Silver)
1	2952-2	78-8028-7899-7	Knife – 89 mm/3.5 Inch
2	2952-12	78-8052-6602-6	Spring – Cutter
1	–	78-8076-4726-4	Tool – Tape Threading

#### AccuGlide™ II STD 3 Inch Lower Taping Head

Qty.	Ref. No.	Part Number	Description
1	2952-2	78-8028-7899-7	Knife – 89 mm/3.5 Inch
2	2952-12	78-8052-6602-6	Spring – Cutter
4	2954-22	78-8076-4500-3	Stud – Mounting
1	2955-10	78-8070-1273-3	Spring – Lower Extension (Black)
1	–	78-8076-4726-4	Tool – Tape Threading

In addition to the above set of spare parts supplied with the taping head, it is suggested that the following spare parts be maintained which will require replacement under normal wear of the taping head.

Qty.	Ref. No.	Part Number	Description
1	2949-15	78-8057-6181-0	Roller – Applying
1	2950/2955-5	78-8057-6180-2	Roller – Buffing
1	2952-18	78-8113-7030-9	Spring – Torsion

### Replacement Parts and Service

Refer to the first page of this instruction manual “**Replacement Parts and Service Information**”.

## Replacement Parts Illustrations and Parts Lists

### AccuGlide™ II STD 3 Inch Upper Taping Head, Type 39600

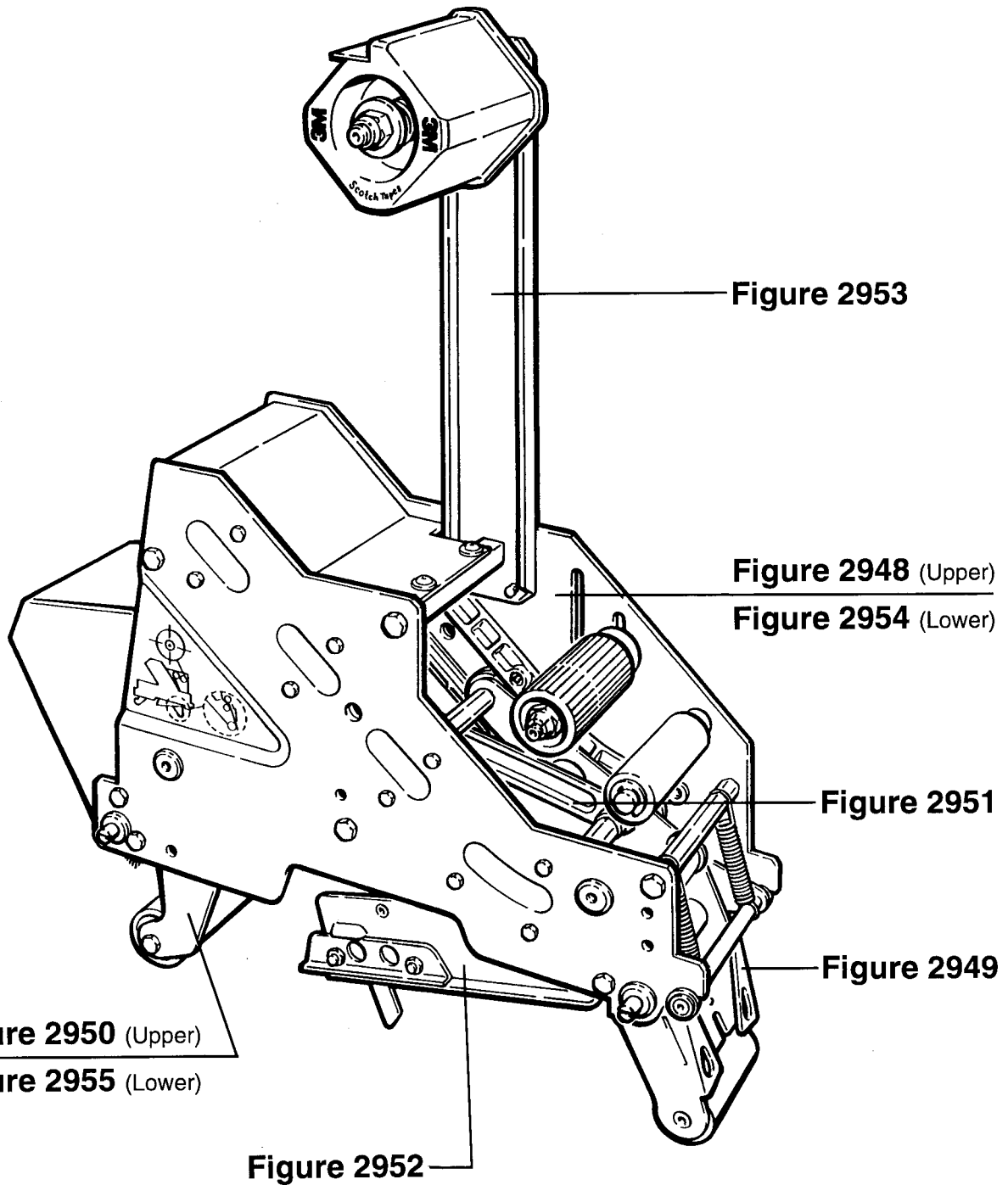
### AccuGlide™ II STD 3 Inch Lower Taping Head, Type 39600

1. Refer to **Taping Head Assemblies** Figure, page 19 to find all the parts illustrations identified by **figure numbers**.
2. Refer to the figure or figures to determine the **individual parts** required and the **parts reference number**.
3. The **replacement parts list**, that follows each illustration, includes the **part number** and **part description** for the parts in that illustration.

**Note** – The complete description has been included for standard fasteners and some commercially available components. This has been done to allow obtaining these standard parts locally, should the customer elect to do so.

4. Refer to the first page of this instruction manual "**Replacement Parts and Service Information**" for replacement parts ordering information.

**IMPORTANT** – Not all the parts listed are normally stocked items. Some parts or assemblies shown are available only on a special order basis. Contact 3M/Tape Dispenser Parts to confirm item availability.



**Taping Head Assemblies – AccuGlide™ II STD 3 Inch**



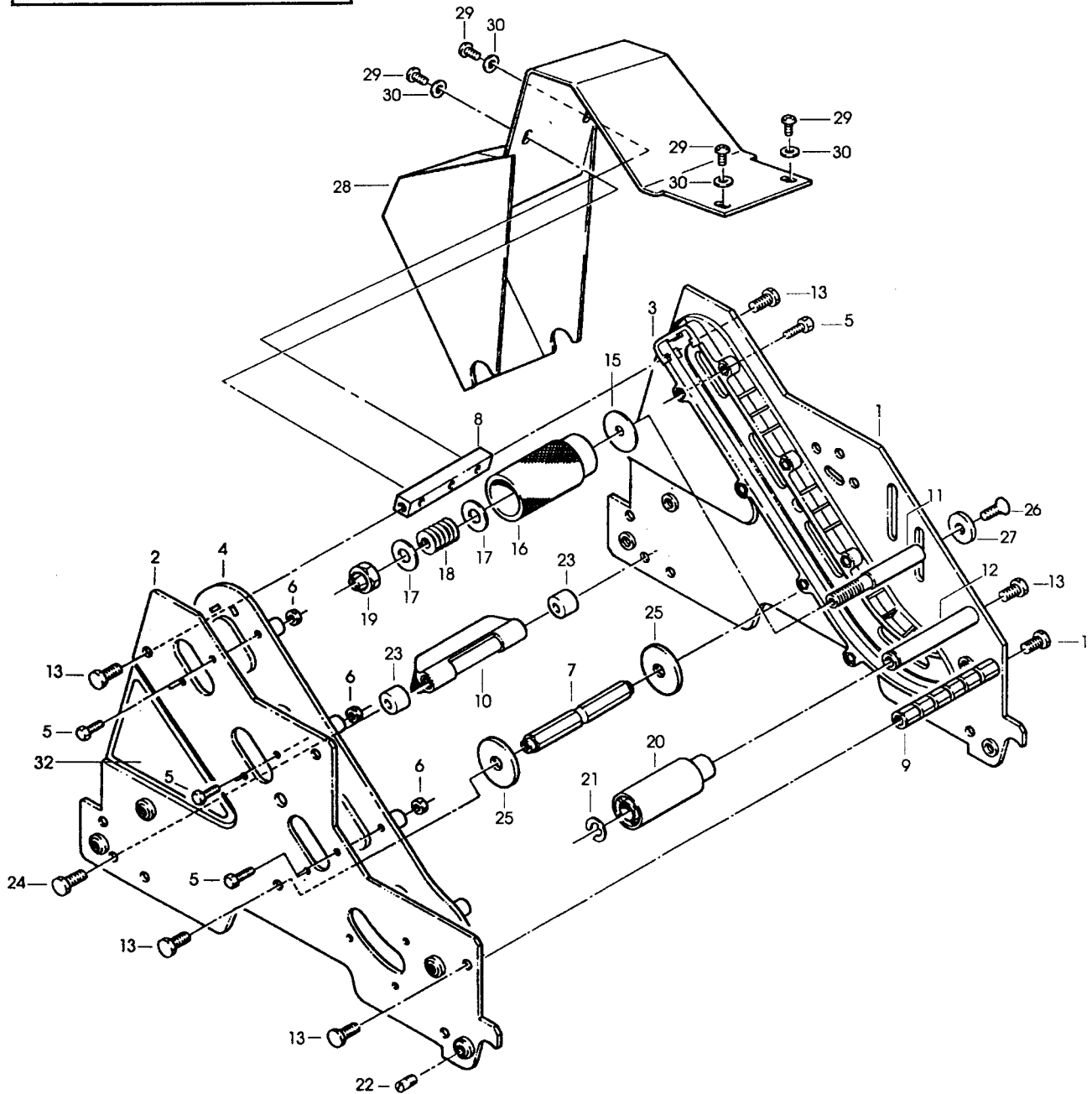
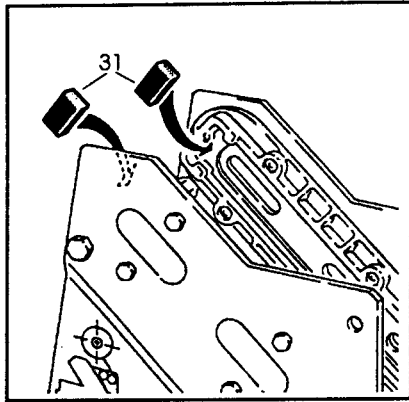


Figure 2948 – Upper Head

## Figure 2948 – Upper Head

Ref. No.	3M Part No.	Description
2948-1	78-8070-1386-3	Frame – Tape Mount Upper Assembly
2948-2	78-8070-1387-1	Frame – Front Upper Assembly
2948-3	78-8068-4143-9	Guide – #1
2948-4	78-8068-4144-7	Guide – #2
2948-5	83-0002-7336-3	Screw – Hex Hd, M4 x 14
2948-6	78-8010-7416-8	Nut – Hex Jam, M4
2948-7	78-8076-4735-5	Spacer – Spring
2948-8	78-8055-0694-2	Spacer – 10 x 10 x 115 mm
2948-9	78-8060-7939-4	Spacer – 10 x 115 W/Slots
2948-10	78-8060-7936-0	Brush Assembly
2948-11	78-8054-8796-0	Shaft – Tension Roller
2948-12	78-8054-8798-6	Shaft – Wrap Roller
2948-13	26-1003-5829-5	Screw – Hex Hd, M6 x 12
2948-15	78-8100-1009-6	Washer – Special
2948-16	78-8054-8797-8	Roller – Top Tension
2948-17	78-8052-6566-3	Washer – Friction
2948-18	78-8052-6567-1	Spring – Compression
2948-19	78-8017-9077-1	Nut – Self Locking, M10 x 1
2948-20	78-8054-8799-4	Roller – Wrap
2948-21	26-1000-1613-3	Ring – Retaining, Tru-Arc #1-420-0120-100
2948-22	78-8076-4500-3	Stud – Mounting
2948-23	78-8060-7937-8	Spacer – 6,5/14 x 12,5
2948-24	78-8060-7938-6	Screw – Low Profile, M6 x 25
2948-25	78-8076-5242-1	Stop – Cut-Off Frame
2948-26	78-8060-8179-6	Screw – Flat Head Hex, M6 x 20
2948-27	78-8076-5477-3	Washer – Special, 6.5 x 20 x 4
2948-28	78-8100-1049-2	Guard – Head
2948-29	78-8060-8087-1	Screw – M5 x 10
2948-30	78-8005-5741-1	Washer – Flat, M5
2948-31	78-8076-4734-8	Bumper
2948-32	78-8070-1365-7	Label – Threading, English Language

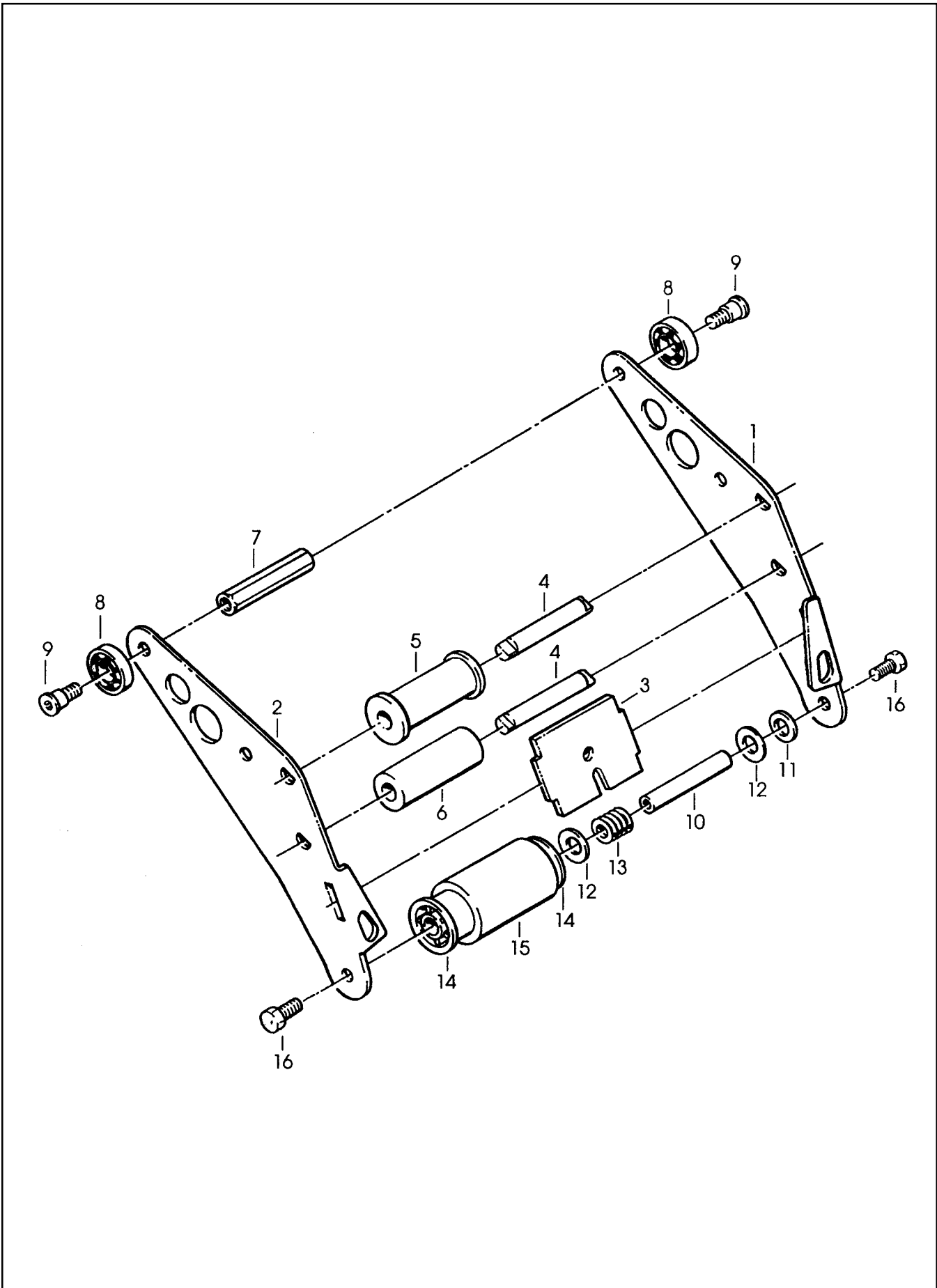


Figure 2949 – Upper and Lower Heads

## Figure 2949 – Upper and Lower Heads

Ref. No.	3M Part No.	Description
2949-1	78-8100-0982-5	Arm – Applying, R/H
2949-2	78-8100-0983-3	Arm – Applying, L/H
2949-3	78-8070-1292-3	Plate – Back-Up
2949-4	78-8076-4736-3	Shaft Roller
2949-5	78-8076-4737-1	Roller Assembly – Knurled
2949-6	78-8076-4738-9	Roller – Wrap
2949-7	78-8054-8806-7	Spacer
2949-8	78-8017-9082-1	Bearing – Special, 30 mm
2949-9	78-8017-9106-8	Screw – Bearing Shoulder
2949-10	78-8054-8801-8	Shaft – 10 x 85, W/Hexagon
2949-11	78-8017-9074-8	Washer – Nylon, 15 mm
2949-12	78-8052-6566-3	Washer – Friction
2949-13	78-8052-6567-1	Spring – Compression
2949-14	78-8060-8396-6	Bushing – Applying Roller
2949-15	78-8057-6181-0	Roller – Applying
2949-16	26-1003-5829-5	Screw – Hex Hd, M6 x 12

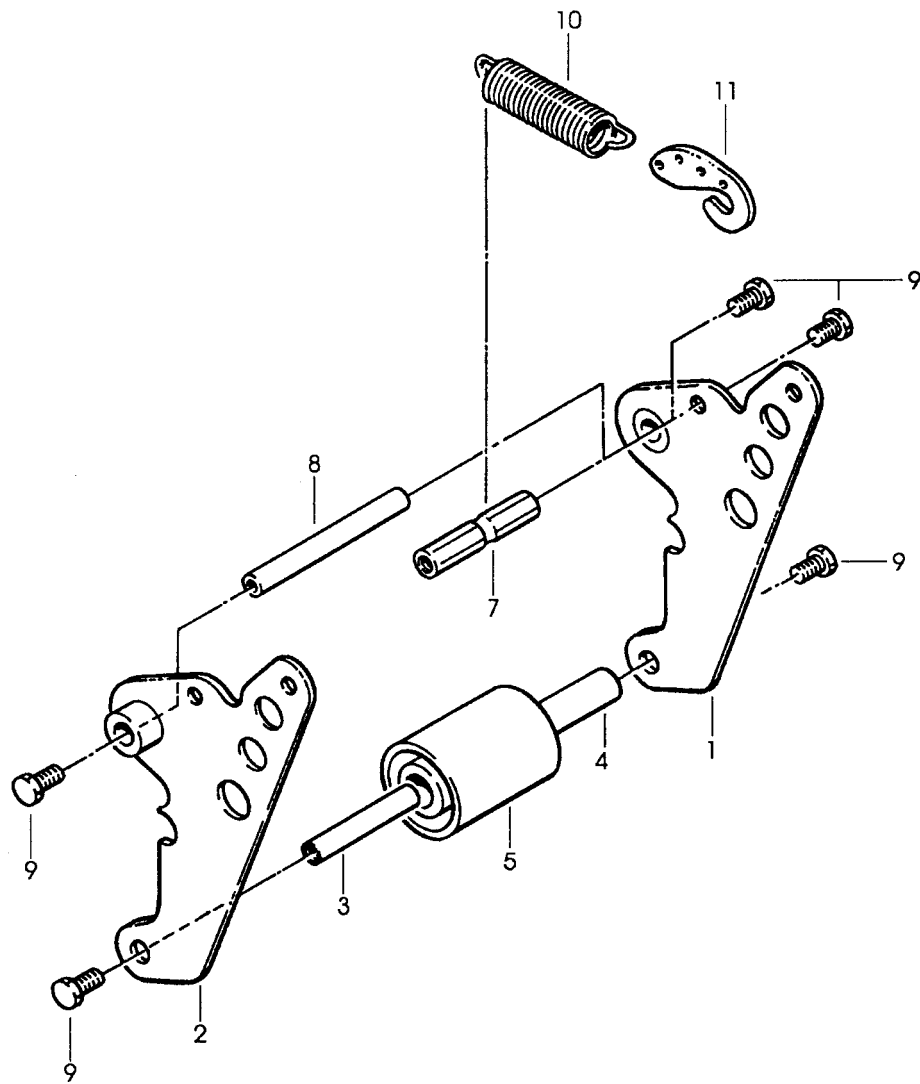


Figure 2950 – Upper Head

## Figure 2950 – Upper Head

Ref. No.	3M Part No.	Description
2950-1	78-8070-1392-1	Buffing Arm – Sub Assembly
2950-2	78-8070-1391-3	Buffing Arm – Sub Assembly
2950-3	78-8091-0799-4	Shaft – 10 x 85, W/Hexagon
2950-4	78-8054-8807-5	Bushing – Buffing Roller
2950-5	78-8057-6180-2	Roller – Buffing
2950-7	78-8076-4739-7	Spacer – Spring
2950-8	78-8028-7885-6	Shaft – 10 x 115 mm
2950-9	26-1003-5829-5	Screw – Hex Hd, M6 x 12
2950-10	78-8070-1274-1	Spring – Upper (Silver)
2950-11	78-8070-1244-4	Holder – Spring

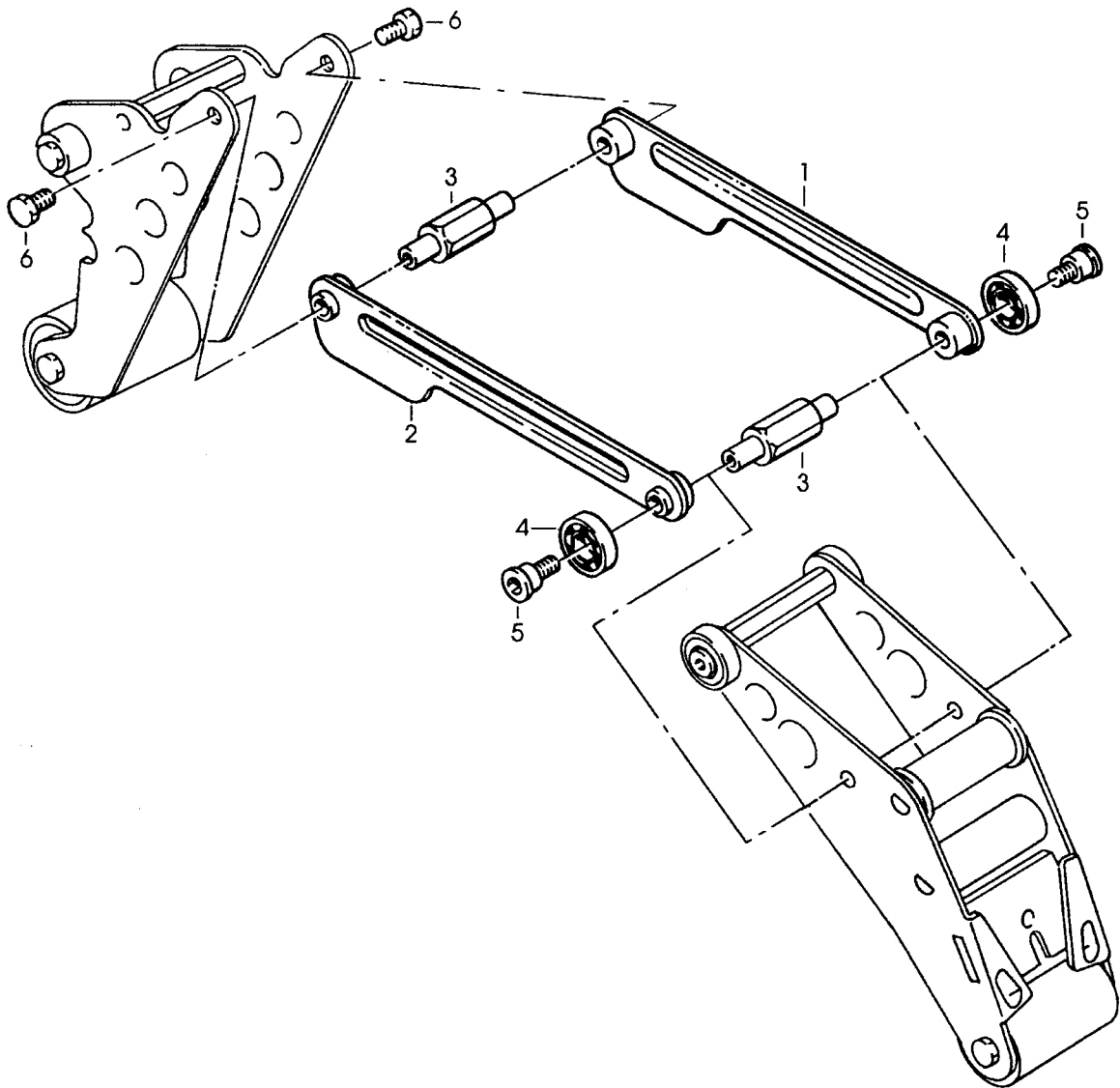


Figure 2951 – Upper and Lower Heads

## Figure 2951 – Upper and Lower Heads

Ref. No.	3M Part No.	Description
2951-1	78-8070-1388-9	Link – Arm Bushing Assembly
2951-2	78-8070-1389-7	Link – Arm Bushing Assembly
2951-3	78-8076-4740-5	Shaft – Pivot
2951-4	78-8017-9082-1	Bearing – Special 30 mm
2951-5	78-8017-9106-8	Screw – Bearing Shoulder
2951-6	26-1003-5829-5	Screw – Hex Hd, M6 x 12



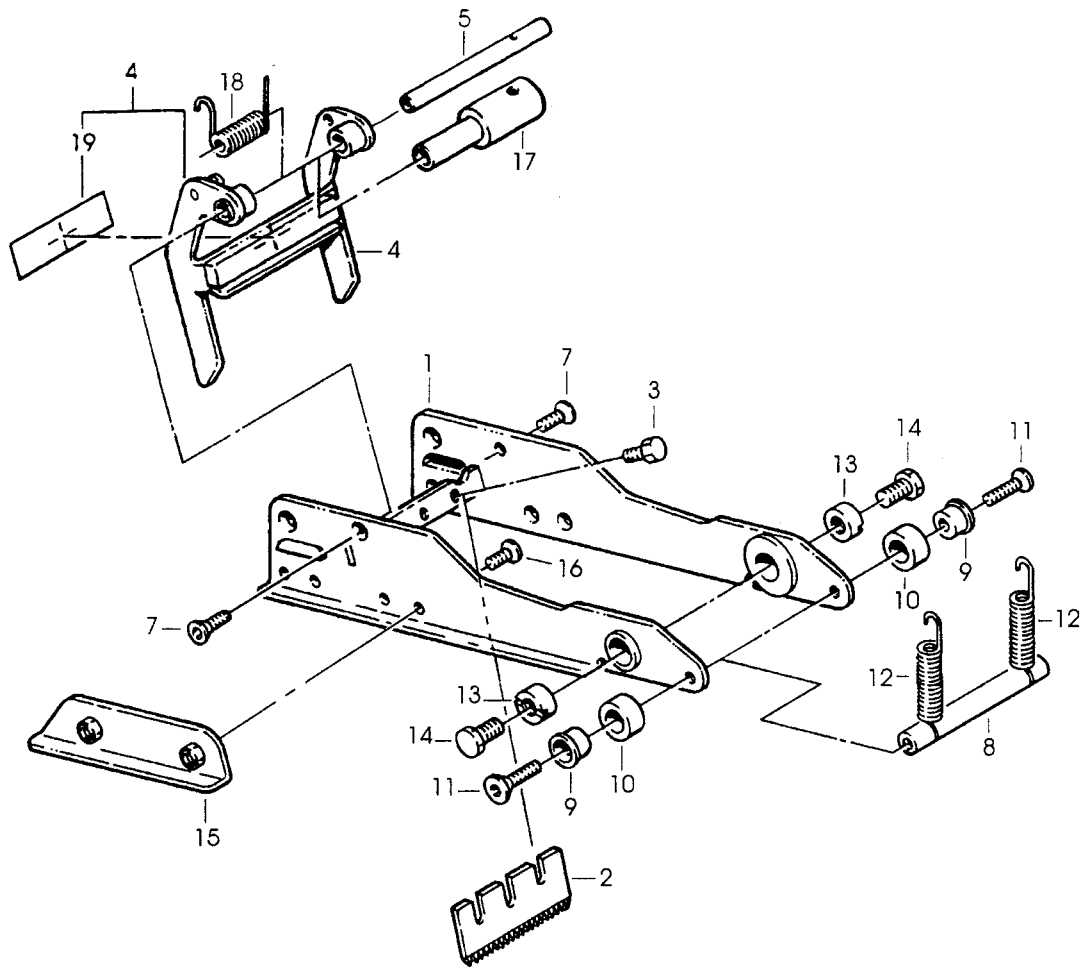


Figure 2952 – Upper and Lower Heads

## Figure 2952 – Upper and Lower Heads

Ref. No.	3M Part No.	Description
2952-1	78-8070-1283-2	Frame – Cut-Off
2952-2	78-8028-7899-7	Knife – 89 mm/3.5 Inch
2952-3	26-1002-5817-2	Screw – Hex Hd, M5 x 8
2952-4	78-8076-4741-3	Knife Guard Assembly – W/English Language Label
2952-5	78-8054-8813-3	Shaft – Knife Guard
2952-7	26-1005-4758-2	Screw – Flat Hd, Soc Dr, M4 x 10
2952-8	78-8060-7941-0	Pin – Spring Holder W/Slots
2952-9	78-8052-6600-0	Spacer
2952-10	78-8070-1269-1	Bumper
2952-11	26-1005-4757-4	Screw – Flat Hd, Soc Dr, M5 x 20
2952-12	78-8052-6602-6	Spring – Cutter
2952-13	78-8017-9132-4	Pivot – Cutter Lever
2952-14	26-1003-5828-7	Screw – Spec, Hex Hd, M6 x 10
2952-15	78-8070-1216-2	Slide – Extension
2952-16	26-1008-6574-5	Screw – Flat Hd, Phil Dr, M4 x 10
2952-17	78-8113-7060-6	Bushing – 83.7 mm Long
2952-18	78-8113-7030-9	Spring – Torsion
2952-19	78-8070-1335-0	Label – Warning, English

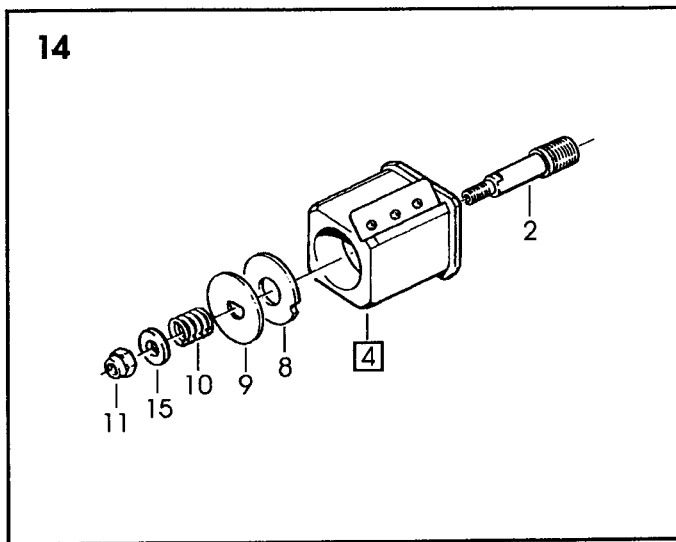
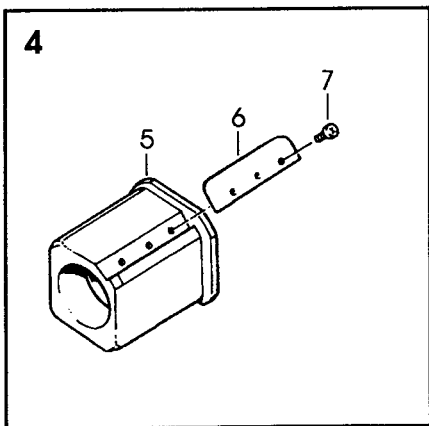
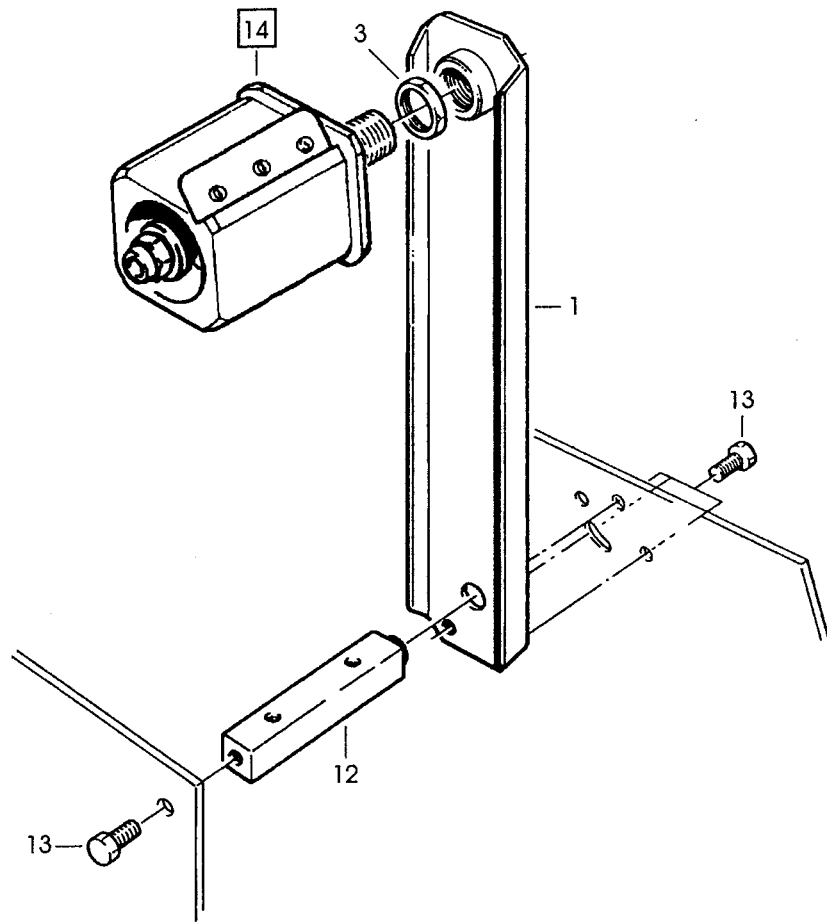


Figure 2953 – Upper and Lower Heads

## Figure 2953 – Upper and Lower Heads

Ref. No.	3M Part No.	Description
2953-1	78-8070-1395-4	Bracket – Bushing Assembly
2953-2	78-8060-8462-6	Shaft – Tape Drum, 3 Inch Head
2953-3	78-8017-9169-6	Nut – M18 x 1
2953-4	78-8076-4731-4	Tape Drum Assembly – 3 Inch Wide
2953-5	78-8054-8815-8	Tape Drum Assembly
2953-6	78-8054-8816-6	Leaf Spring
2953-7	26-1002-5753-9	Screw – Self Tapping
2953-8	78-8060-8172-1	Washer – Friction
2953-9	78-8052-6271-0	Washer – Tape Drum
2953-10	78-8100-1048-4	Spring – Core Holder
2953-11	78-8017-9077-1	Nut – Self Locking, M10 x 1
2953-12	78-8100-1050-0	Spacer – Bracket
2953-13	26-1003-5829-5	Screw – Hex Hd, M6 x 12
2953-14	78-8076-4732-2	Tape Drum Assembly – 3 Inch Head
2953-15	26-1004-5510-9	Washer – Plain, M10

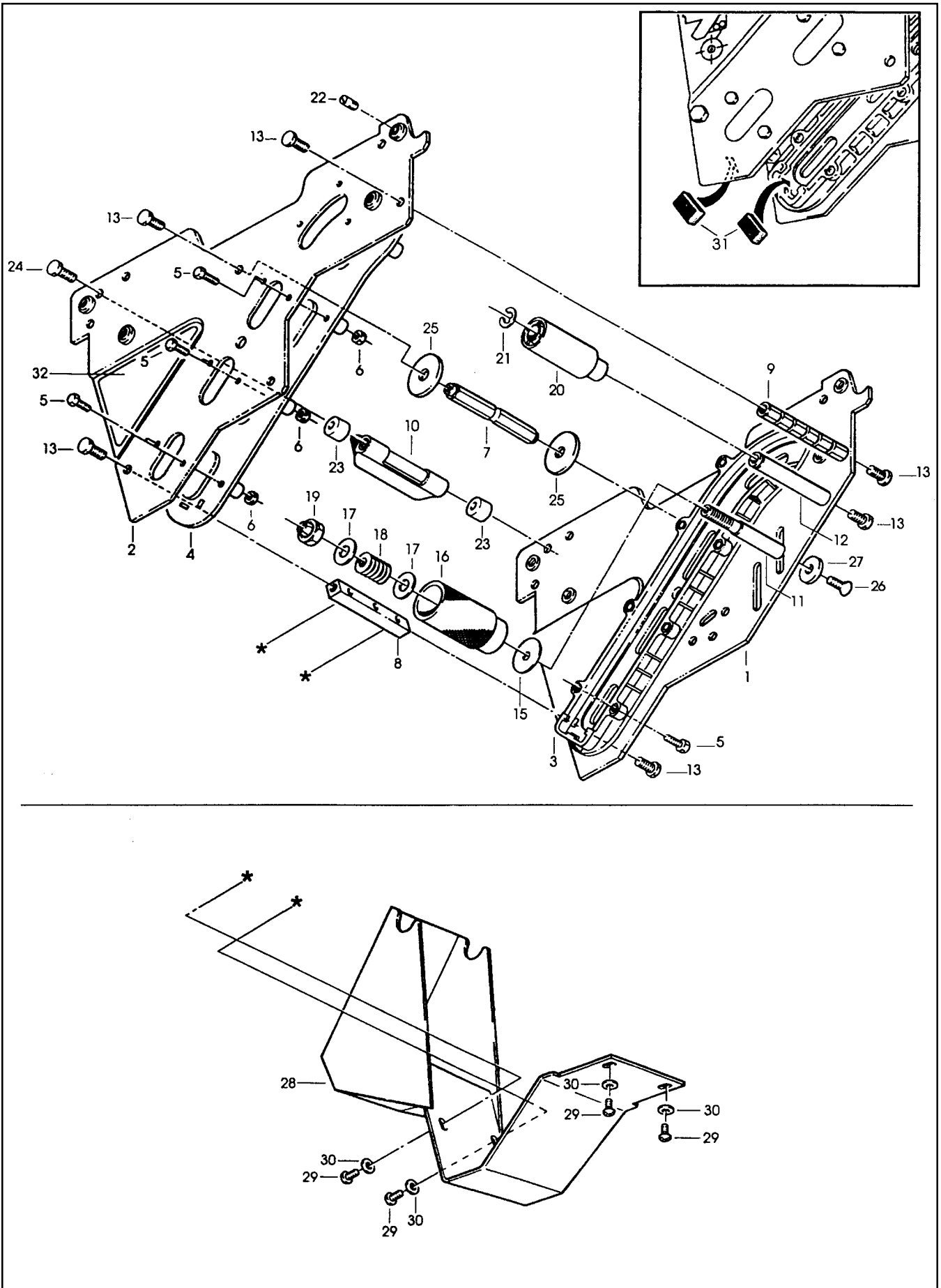


Figure 2954 – Lower Head

## Figure 2954 – Lower Head

Ref. No.	3M Part No.	Description
2954-1	78-8070-1369-9	Frame – Tape Mount Lower Assembly
2954-2	78-8070-1370-7	Frame – Front Lower Assembly
2954-3	78-8068-4144-7	Guide – #2
2954-4	78-8068-4143-9	Guide – #1
2954-5	83-0002-7336-3	Screw – Hex Hd, M4 x 14
2954-6	78-8010-7416-8	Nut – Hex, M4
2954-7	78-8076-4735-5	Spacer – Spring
2954-8	78-8055-0694-2	Spacer – 10 x 10 x 115 mm
2954-9	78-8060-7939-4	Spacer – 10 x 115, W/Slots
2954-10	78-8060-7936-0	Brush Assembly
2954-11	78-8054-8796-0	Shaft – Tension Roller
2954-12	78-8054-8798-6	Shaft – Wrap Roller
2954-13	26-1003-5829-5	Screw – Hex Hd, M6 x 12
2954-15	78-8100-1009-6	Washer – Special
2954-16	78-8054-8817-4	Roller – Tension Bottom
2954-17	78-8052-6566-3	Washer – Friction
2954-18	78-8052-6567-1	Spring – Compression
2954-19	78-8017-9077-1	Nut – Self Locking, M10 x 1
2954-20	78-8054-8799-4	Roller – Wrap
2954-21	26-1000-1613-3	Ring – Retaining, Tru-Arc #1-420-0120-100
2954-22	78-8076-4500-3	Stud – Mounting
2954-23	78-8060-7937-8	Spacer – 6,5/14 x 12,5
2954-24	78-8060-7938-6	Screw – Low Profile, M6 x 25
2954-25	78-8076-5242-1	Stop – Cut-Off Frame
2954-26	78-8060-8179-6	Screw – Flat Head Hex, M6 x 20
2954-27	78-8076-5477-3	Washer – Special /6.5 x 20 x 4
2954-28	78-8100-1049-2	Guard – Head
2954-29	78-8060-8087-1	Screw – M5 x 10
2954-30	78-8005-5741-1	Washer – Flat, M5
2954-31	78-8076-4734-8	Bumper
2954-32	78-8070-1364-0	Label – Threading, English Language

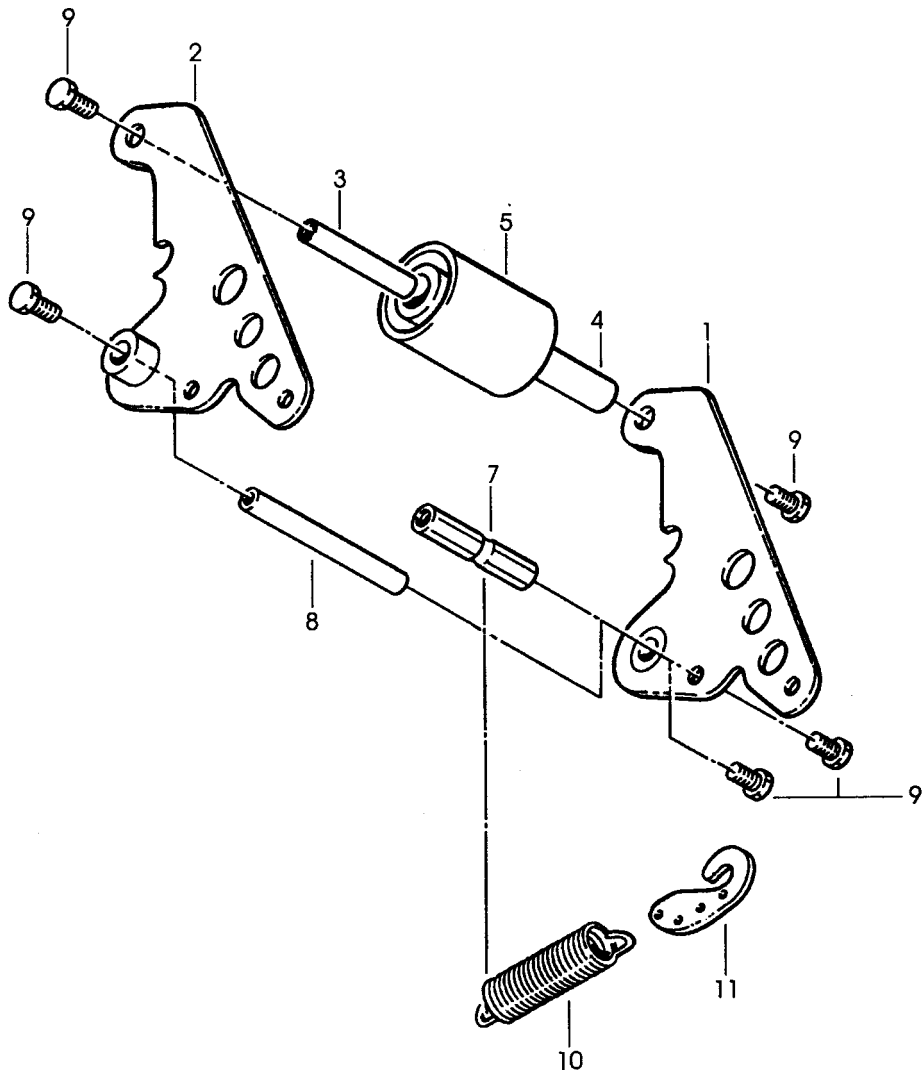


Figure 2955 – Lower Head

## Figure 2955 – Lower Head

Ref. No.	3M Part No.	Description
2955-1	78-8070-1391-3	Buffing Arm Sub Assembly
2955-2	78-8070-1392-1	Buffing Arm Sub Assembly
2955-3	78-8091-0799-4	Shaft – 10 x 85, W/Hexagon
2955-4	78-8054-8807-5	Bushing – Buffing Roller
2955-5	78-8057-6180-2	Roller – Buffing
2955-7	78-8076-4739-7	Spacer – Spring
2955-8	78-8028-7885-6	Shaft – 10 x 115 mm
2955-9	26-1003-5829-5	Screw – Hex Hd, M6 x 12
2955-10	78-8070-1273-3	Spring – Lower (Black)
2955-11	78-8070-1244-4	Holder – Spring